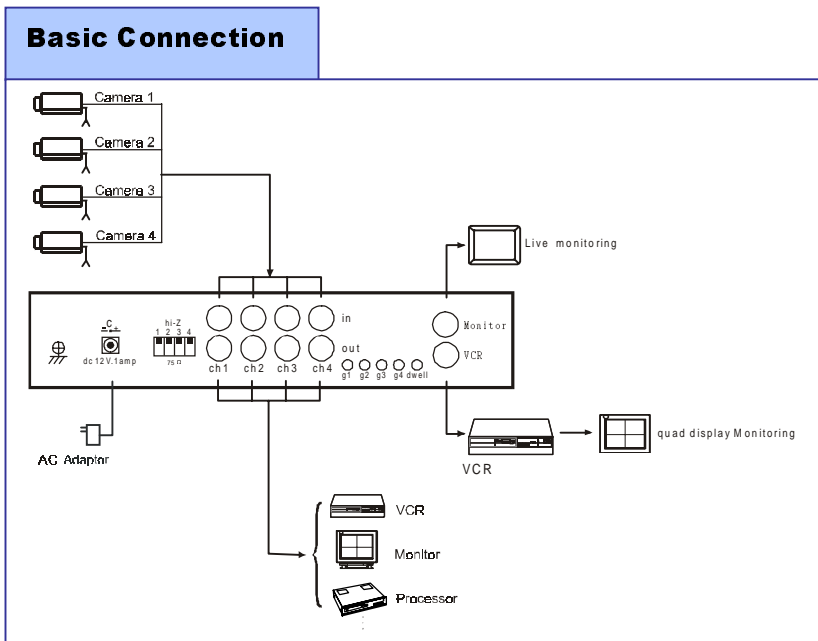


B/W Quad Processor

FIO-8142 **Simple Model**



- ▶ Super high resolution
- ▶ True real time refresh
- ▶ Full screen call up
- ▶ Built-in sequential switcher
- ▶ Adjustable dwell time
- ▶ Video loop through
- ▶ Hi-Z & 75 ohms impedance S.W.
- ▶ Video loss alarm
- ▶ individual gain control



Specifications

Model Number	FIO-8142	FIO-8046
Camera Type	B/W	Color
Video Camera Input	EIA / CCIR X 4	NTSC / PAL X 4
Video Output	Video Out to Monitor X 1, 1Vp-p, 75 Ohms	
	Quad video out to VCR X 1, 1Vp-p, 75 Ohms	
	Video output loop through X 4, 1Vp-p, 75 Ohms	
Alarm Type	Video loss detection	
Camera Dwell Time	1 to 30 Sec adjustable	
Refresh Rate	30 (25) FPS	
Resolution	1024 x 512	
Number of Color	256 grayscales	16.7 million colors
Video Gain Control	yes	automatic
Power Consumption	12 V DC, 5W	12 V DC, 8W
Dimension	215W x 200D x 44.4 H mm 8.50W x 7.9D x 1.75H inches	
Weight	2.0 Kgs / 4.4 lbs	
Operating Temperature	0 to 50 ° C (32 to 122 ° F)	
Power Adapter	120/230 VAC input, 12 V DC Output, UL, CSA, VDE approved	

<http://www.approtech.com>

APPRO® Technology Inc

USA: 982 Yorktown Dr, Sunnyvale CA 94087
 Tel: 1-408-245-5708 Fax: 1-408-245-5105
 E-mail: approu@aol.com
 Twn: 13F, No.66, Chung-Cheng Rd.,
 Hsin-Chuang City, Taipei, Taiwan
 Tel: 886-2-8992-1177 Fax: 886-2-8992-0077

