

Smart AT-16S

Infrared Illumination



EASY INTEGRATION and CONTROL

Seamless & precise integration via I/O ports.
Link multiple units together. Sync with camera or any other system device with input or output capability.
Automatic On/ Off, Night/ Day switch via built-in photocell.

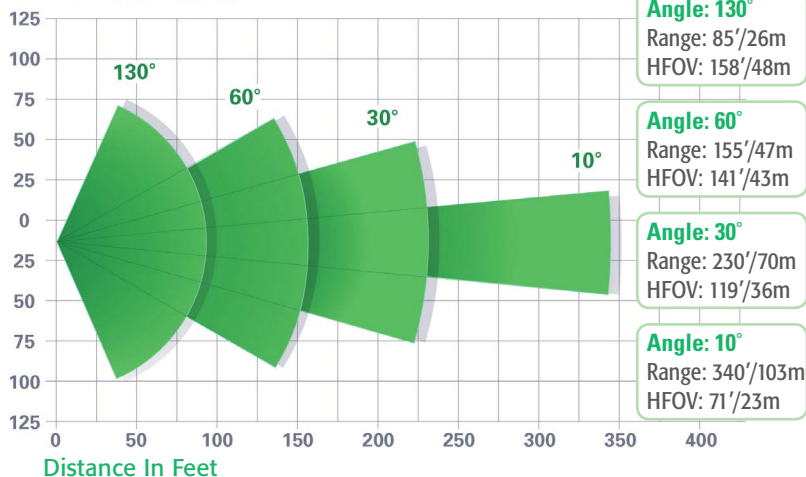
SIMPLE INSTALLATION

Extended range (12-36) VDC or (12-24) VAC low-voltage input for simplified installation.

LIFETIME WARRANTY - MADE IN THE USA

All products are covered by a lifetime warranty with advanced replacement. All illuminators are designed and manufactured in the USA.

ILLUMINATION DISTANCE



TIPS:

HFOV - Horizontal Field Of View - Coverage area in feet/meters or an angle. For optimal system performance HFOV should be matched to camera's field of view. The greater the coverage angle the less illumination distance.

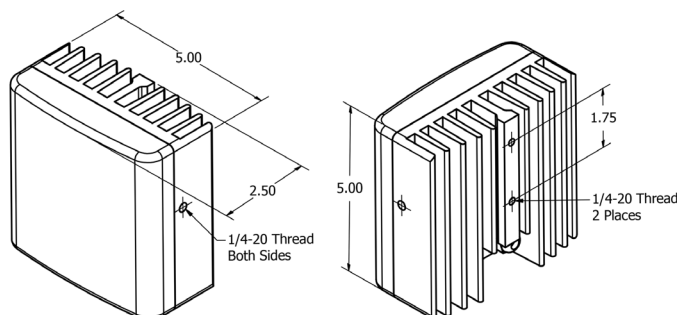
Use IR-Corrected Lens - Non IR-Corrected lenses may produce blurry images due to focus shift caused by IR light, this requires refocusing.

To increase the range place several IRs together:
Two units = 40% more range, Three units = 70% more range

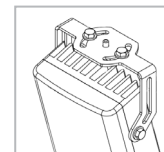
Consider using I/O ports to sync IR & Camera - Input/Output ports allow to hard-wire IR & the camera for seamless switching from day to night modes. You may also daisy chain multiple IRs to switch ON/OFF synchronously.

SPECIFICATIONS

Wavelength	850nm (semi-covert)
Input Voltage	(12 - 36)V DC or (12 - 24)V AC
Power Consumption	16 Watts
Operating Temperature	-58°F...+140°F / -50°C...+60°C
Dimensions	5" x 4.9" x 2.5" / 127 x 125 x 64 mm
Weight	2 lbs/0.95kg.
Environmental	IP 67
Mounting	Tilting U-bracket



“TILTING U-BRACKET included”



*Free to swap with Robotix or L bracket