

The SM1- is a high quality, 12VDC-24VDC powered, compact, tamper resistant, surface mount, omni-directional, pre-amplified microphone for use with DRVs, I/P cameras, etc. Note- the audio output of the SM1-TRCF is "line level" (0db).

**SM1-TRCF Microphone Placement**

The SM1-TRCF is designed for indoor applications and surface mounted on any flat surface using the supplied tamper resistant screws. Do not mount the microphone near air conditioning vents, light fixtures or electrical equipment. The SM1-TRWCF should be placed as close as possible to the subject of interest. The SM1-TRWCF is useable in the range of 3-25 feet but is dependent on the level of background noise in the area. Experimentation in the environment will determine what distances work best.

**Cable Run**

Run a 22 gauge, stranded, two conductor shielded cable between the SM1-TRCF microphone and the monitoring device. Keep the cable run distance under 1,000 feet and away from AC power sources, light fixtures and electrical equipment. Connect power to the + terminal, the audio signal to the "audio" terminal and ground to the - terminal. The Ground of the power and audio signal must share a common ground for proper operation. *See Figure 1 for connection diagram.*

**Sound Chamber Wind Screen**

Over time the wind screen may become saturated with moisture or dirt and the sound quality and volume will be noticeably reduced. If this happens, remove and soak the screen in soapy warm water. Then, rinse and wring out the excess water from the screen and reinstall it.

**Adjusting the SM1-TRCF Gain**

The SM1-TRCF has an adjustable output level. The SM1-TRCF is shipped with the gain set at midrange. If the sound at the "head end" is distorted, rotate the control counter-clockwise. If the volume at the "head end" is too low, rotate the control clockwise.

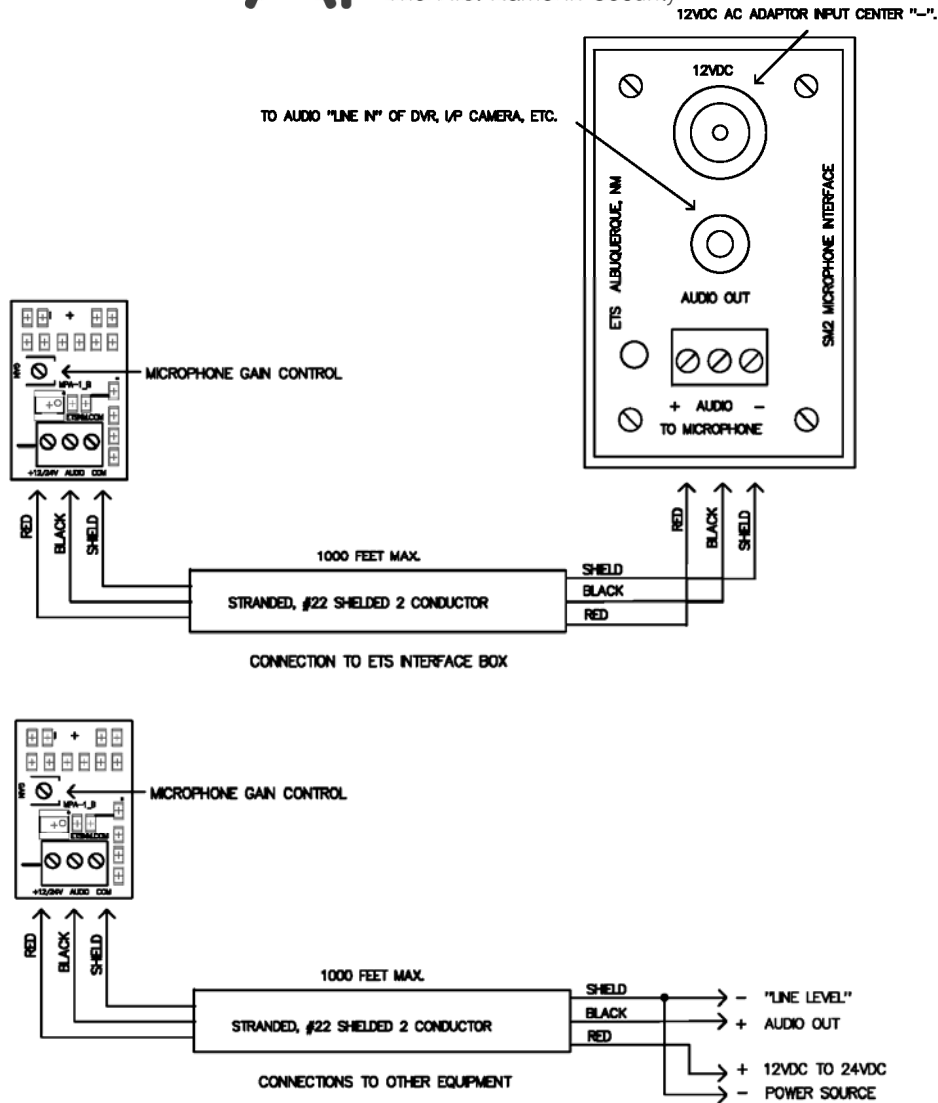


Figure 1.

**Caution**

It may be against the law to install this microphone kit in certain environments. It may also be against the law to record conversations of the person(s) being monitored without their knowledge. It is the responsibility of the installation company and end-user to determine if the application of this product is legal. These laws vary from state to state. If you are not informed on these matters, consult a qualified attorney or contact the appropriate state agency. A sticker is provided with this kit for the applications where notification must be posted.

**Warranty**

All ETS products carry a one year parts and labor warranty. This warranty does not cover damages as a result of misuse, improper handling of the unit or exposure to extreme temperatures or moisture. At its discretion, ETS reserves the right to repair or replace this unit under the conditions of the warranty. If you experience problems with your equipment call ETS at: 505-888-3923 to obtain a return authorization number. Equipment requiring repair beyond the warranty period or units that have been damaged or are not covered under the warranty can be repaired by ETS for a minimal cost under most conditions.

Made in the USA  
by  
**ETS Inc.**