

DS-K7P04

Exit Button

- 12 VDC Input Voltage
- 1 A @ 30 VDC, 0.5 A @ 125 VAC Current Rating
- 20 mA (Standby), 50 mA (Working Current)
- NO/NC/COM Contact
- 1.57" to 3.94" (40 mm to 100 mm) Maximum Inductive Distance
- White/Green/Red LED Status Indicator

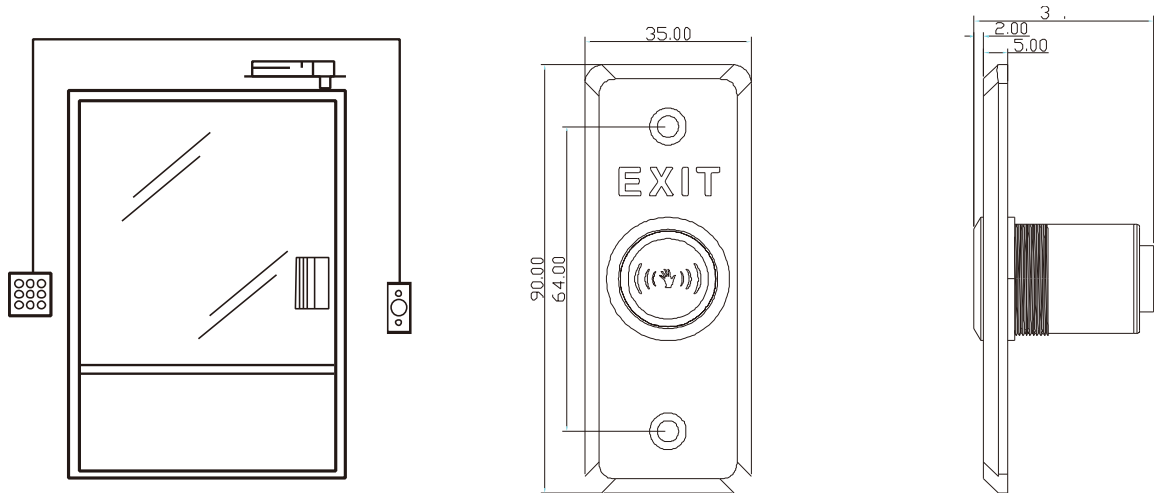
The DS-K7P04 exit button is a non-touch button designed for all types of narrow doorframes. The panel is aluminum. The panel supports 40 mm to 100 mm inductive distance.

Available Model: DS-K7P04



DS K7P04	
Door Suitability	All types of narrow doorframes
Material	Aluminum panel
Output Contacts	N.O./N.C./COM contacts
Working Rating	20 mA (standby), 50 mA (working current)
Current Rating	3 A @ 36 VDC maximum
Working Temperature	-4° to 122° F (-20° to +50° C)
Working Humidity	0% to 95% relative humidity
Maximum Induction Distance	40 mm to 100 mm (1.57" to 3.94") (adjustable)
LED Indicator Status	White/green/red LED, indicates power-off/active/standby
Dimensions	90 mm × 35 mm × 37.7 mm (3.54" × 1.38" × 1.48")
Weight	0.26 lb (0.12 kg)

Dimensions



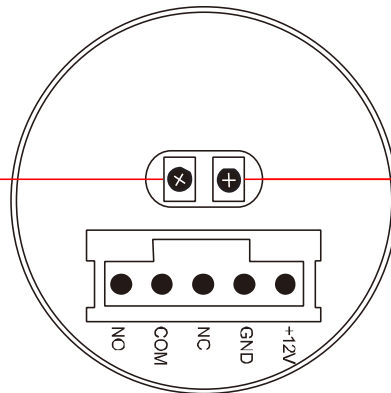
Units: mm

Pinouts

Detection Range: 4-10 cm
(Adjustable)

VR1 Adjustment

- ⊗ Maximum detection distance
- ⊕ Minimum detection distance



Time Delay: 0.5s to 25s

VR2 Adjustment

- ⊗ Maximum time delay
- ⊕ Minimum time delay