

## PC-DE4A

### Pendant Cap for DS-2DE4A Series Cameras

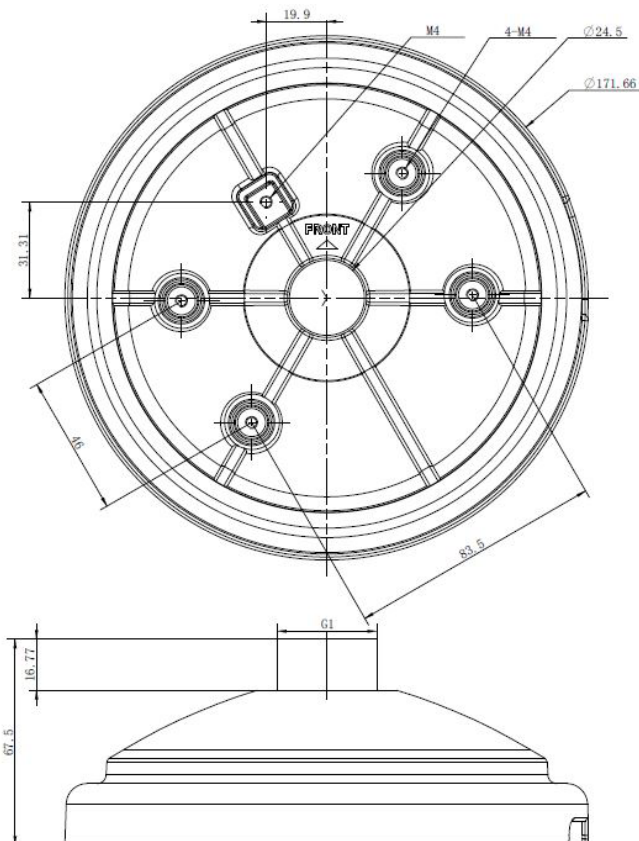
- Aluminum alloy material with surface spray treatment
- Designed for DS-2DE4A Series Cameras
- Waterproof Design

The bracket should be installed on a flat surface. Waterproof rubber is necessary for outdoor application. The wall must be capable of supporting at least three times the total weight of the camera and bracket. The maximum load capacity of the junction box is 11 lbs (5 kg).

Available Model: PC-DE4A



### Dimensions



### Specifications

PC-DE4A	
Appearance	Hikvision White
Material	Aluminum Alloy
Dimension	Φ 171.7 mm × 158 mm × 228.6 mm (Φ 6.8" × 6.2" × 9")
Weight	3.57 lbs (1.12 kg)

						
<b>CPM</b> Camera Ceiling Pendant Mount	<b>CPME</b> Camera Ceiling Pendant Mount, 1" Extension Pipe	<b>WMS</b> Short Wall Mount, Junction Box	<b>WML</b> Long Wall Mount with Junction Box	<b>RPM</b> Roof Parapet Mount	<b>PM</b> Pole Mount Adapter	<b>CM</b> Corner Mount Adapter