

Parapet Wall Mount Bracket

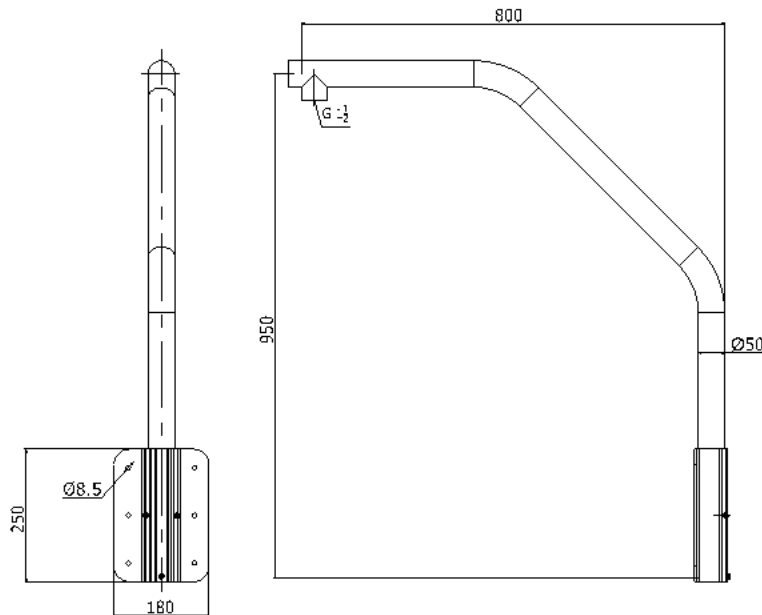
LTB742

Suitable for Parapet Wall Mounting



Properties	
Parameter	Parapet Wall Mount Bracket
Construction	Aluminum alloy
Dimension	180×950×800 mm(7.1" ×37.4"×31.5")
Weight	2900g(6.4lbs)

Dimensions:



©2015 LT Security, Inc. All Rights Reserved. White papers, data sheets, quick start guides, and/or user manuals are for reference only and may or may not be entirely up to date or accurate based upon the version or models. Product names mentioned herein may be the unregistered and/or registered trademarks of their respective owners.