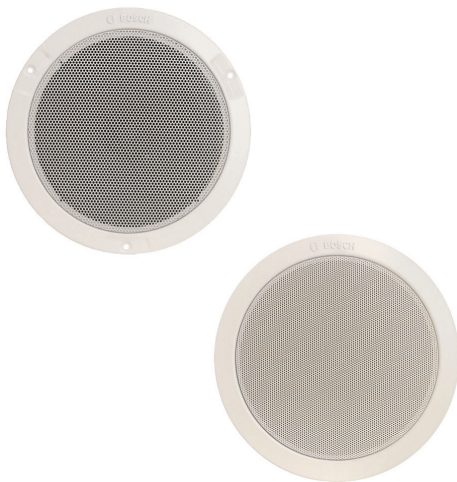


# LHM 0606/xx Ceiling Loudspeaker

www.boschsecurity.com



**BOSCH**  
Invented for life



- ▶ Suitable for speech and music reproduction
- ▶ Flush-mounting in ceiling cavity
- ▶ Easy to install
- ▶ Simple power setting
- ▶ Unobtrusive in virtually all interiors

The LHM 0606/xx is a general purpose, 6 W, cost-effective ceiling loudspeaker. The /00 version is screw mounted and the /10 version is clamp mounted into the ceiling. An optional fire dome LBC 3080/01 is available.

## Functions

An economic flushing-mounting ceiling loudspeaker is available for general purpose applications. This full range loudspeaker is suitable for both speech and music reproduction in shops, department stores, schools, offices, sports halls, hotels and restaurants. The speaker assembly consists of a single-piece, 6W dual cone loudspeaker and frame, with a 100 V, matching transformer mounted on the back. A circular metal grille is an integrated part of the front. The appearance and neutral white color has been selected to be unobtrusive in virtually all interiors.

## Certifications and approvals

All Bosch loudspeakers are designed to withstand operating at their rated power for 100 hours in accordance with IEC 268-5 Power Handling Capacity (PHC) standards. Bosch has also developed the Simulated Acoustical Feedback Exposure (SAFE) test

to demonstrate that they can withstand two times their rated power for short durations. This ensures extra reliability under extreme conditions, leading to higher customer satisfaction, longer operating life, and much less chance of failure or performance deterioration.

Safety

acc. to EN 60065

## Installation/configuration notes

### Mounting

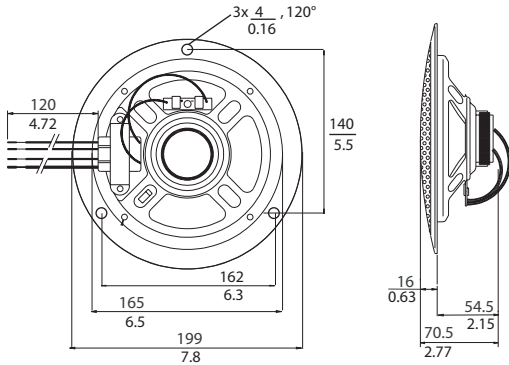
The assembly is simply and quickly installed into a hole in the ceiling cavity. The /00 version is secured with the three white screws (supplied). The /10 version is secured by two integral spring-loaded ceiling locking clamps. A circular template for marking a 165 mm diameter hole is included with the loudspeaker.

Three wires on the matching transformer (primary) provide for selection of nominal full-power, half-power or quarter-power radiation.

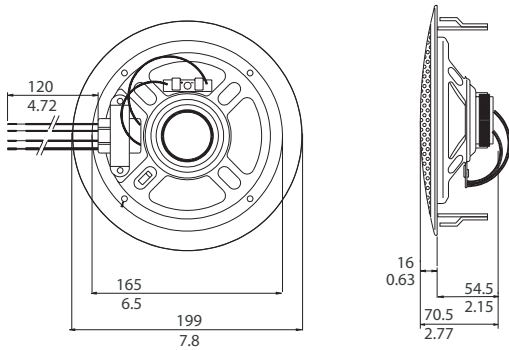
### Fire dome

During a fire, the ceiling cavity in which loudspeakers are installed can allow flames to spread throughout a building. To prevent fire entering the cavity via the

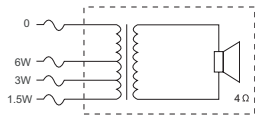
loudspeaker, the ceiling loudspeaker can be fitted with a protective steel fire dome (LBC 3080/01). This optional fire dome is mounted on the loudspeaker assembly using four self-tapping screws, supplied as standard. There are four knock-out holes; two (2) for rubber grommets (supplied) and two (2) for cable glands. (PG13).



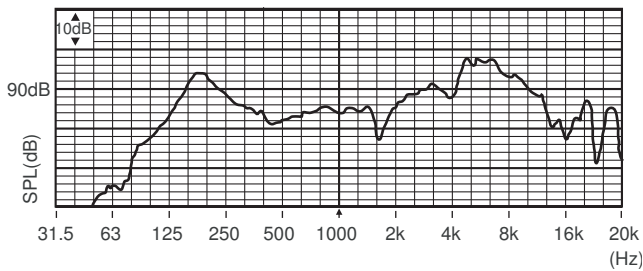
LHM 0606/00 Dimensions in mm / inch



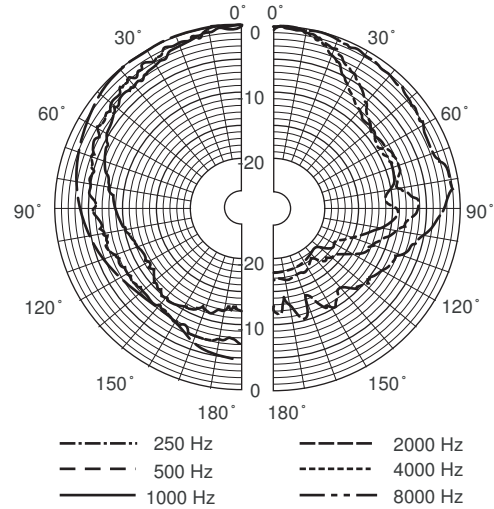
LHM 0606/10 Dimensions in mm / inch



Circuit diagram



Frequency response



Polar diagram (measured with pink noise)

Octave band sensitivity\*

	Octave SPL 1W/1m	Total octave SPL 1W/1m	Total octave SPL Pmax/1m
125 Hz	91.3	-	-
250 Hz	85.3	-	-
500 Hz	85.3	-	-
1000 Hz	85.7	-	-
2000 Hz	90.5	-	-
4000 Hz	98.2	-	-
8000 Hz	91.1	-	-
A-weighted	-	90.4	97.1
Lin-weighted	-	90.4	97.6

Octave band opening angles

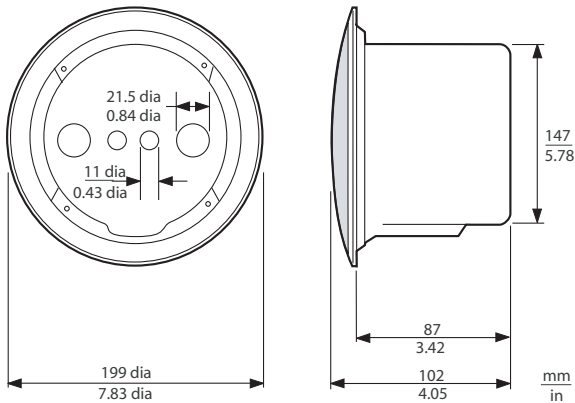
	Horizontal	Vertical
125 Hz	180	180
250 Hz	180	180
500 Hz	180	180
1000 Hz	180	180
2000 Hz	122	122
4000 Hz	51	51
8000 Hz	42	42

Acoustical performance specified per octave

\* (all measurements are done with a pink noise signal; the values are in dB SPL)



LBC 3080/01 Fire Dome (optional)



LHM 0606/xx + LBC 3080/01 Fire dome assembly dimensions in mm

## Technical specifications

### Electrical

Maximum power	9 W
Rated power	6 / 3 / 1.5 W
Sound pressure level at 6 W / 1 W (1 kHz, 1 m)	94 dB / 86 dB (SPL)
Sound pressure level at 6 W / 1 W (4 kHz, 1 m)	106 dB / 98 dB (SPL)
Effective frequency range (-10 dB)	80 Hz to 18 kHz
Opening angle at 1 kHz/4 kHz (-6 dB)	175° / 55°
Rated voltage	100 V
Rated impedance	1667 ohm
Connection	Flying leads

### Mechanical

Diameter	199 mm (7.8 in)
Maximum depth	70.5 mm (2.8 in)
Mounting cut-out	165 + 5 mm (6.5 + 0.20 in)
Speaker diameter	152.4 mm (6 in)

Weight	620 g (1.37 lb)
Color	White (RAL 9010)

### Environmental

Operating temperature	-25 °C to +55 °C (-13 °F to +131 °F)
Storage temperature	-40 °C to +70 °C (-40 °F to +158 °F)
Relative humidity	<95%

## Ordering information

### LHM 0606/00 Ceiling Loudspeaker

6 W, screw mounted

Order number **LHM0606/00**

### LHM 0606/10 Ceiling Loudspeaker

6 W, clamp mounted

Order number **LHM0606/10**

### Accessories

#### LBC 1256/00 EVAC Connection Adapter

3-pole screw connector, 100 pieces

Order number **LBC1256/00**

#### LBC 3080/01 Fire Dome

Metal fire dome for the LBC 3087/41, LBC 3090/01, LBC 3090/31, LHM 0606/00, LHM 0606/10 and LHM 0626/00 ceiling loudspeakers.

Order number **LBC 3080/01**

**Represented by:**

**Americas:**

Bosch Security Systems, Inc.  
12000 Portland Avenue South  
Burnsville MN 55337, USA  
Phone: +1-800-392-3497  
Fax: +1-800-955-6831  
audiosupport@us.bosch.com  
www.boschsecurity.com

**Europe, Middle East, Africa:**

Bosch Security Systems B.V.  
P.O. Box 80002  
5617 BA Eindhoven, The Netherlands  
Phone: + 31 40 2577 284  
Fax: +31 40 2577 330  
emea.securitysystems@bosch.com  
www.boschsecurity.com

**Asia-Pacific:**

Robert Bosch (SEA) Pte Ltd, Security  
Systems  
11 Bishan Street 21  
Singapore 573943  
Phone: +65 6571 2808  
Fax: +65 6571 2699  
apr.securitysystems@bosch.com  
www.boschsecurity.asia

**China:**

Bosch (Shanghai) Security Systems Ltd.  
201 Building, No. 333 Fuquan Road  
North IBP  
Changning District, Shanghai  
200335 China  
Phone +86 21 22181111  
Fax: +86 21 22182398  
www.boschsecurity.com.cn

**America Latina:**

Robert Bosch Ltda Security Systems Division  
Via Anhanguera, Km 98  
CEP 13065-900  
Campinas, Sao Paulo, Brazil  
Phone: +55 19 2103 2860  
Fax: +55 19 2103 2862  
al.securitysystems@bosch.com  
www.boschsecurity.com