



PC110

Pendant Cap for Dome Camera

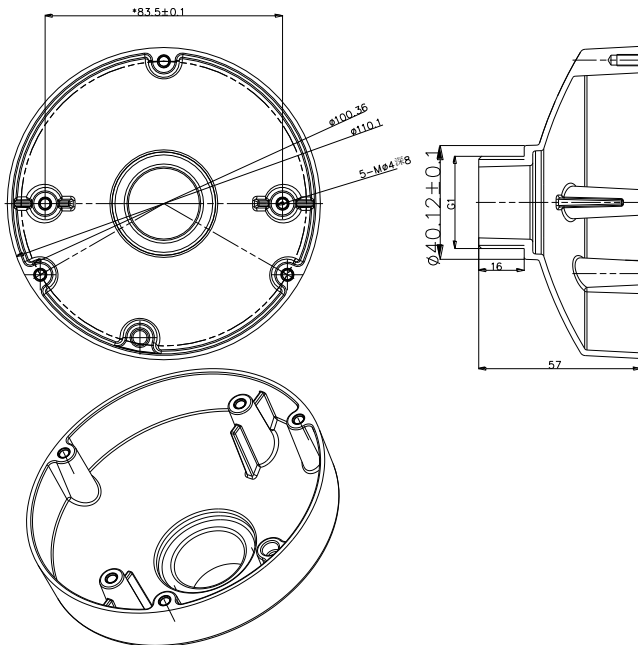
Features:

- Aluminum alloy material with surface spray treatment
- Better waterproof design

Order Model:

PC110

Dimension:



Parameter:

Model	PC110
Parameters	Pendant Cap for Dome Camera
Appearance	Hikvision White
Range of Application	Pendant Cap for Dome Camera
Material	Aluminum Alloy
Dimension	110mmX57mm
Weight	132g

Note:

- Pay attention to color matching
- The bracket should be installed on flat wall
- The wall must be capable of supporting over 3 times as much as the total weight of the camera and the mount.
- The maximum load capacity of the bracket is 5KG

Model Suitable:

DS-2CC51D3S-VPIR

DS-2CD21x2-I

Note: The actual bracket may vary from the picture above.