

## AB-FE2

### Angled Base for Fisheye Camera

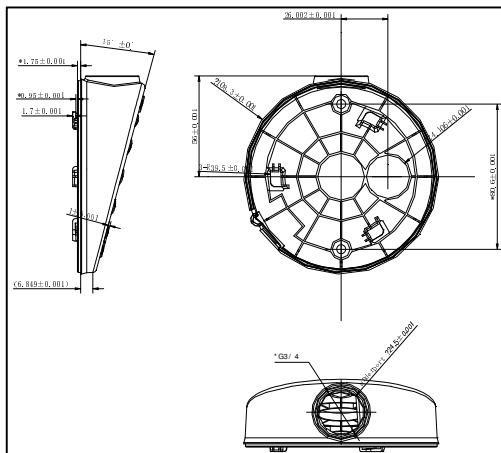


AB FE2	
Appearance	Hikvision white
Features	Increased camera elevation angle by 15°.
Material	ABS and PVC
Dimensions	111.8 mm × 40.5 mm × 108.3 mm (4.40" x 1.59" x 4.26")
Weight	45.8 g (1.62 ozs)

#### Features

- Enhanced Plastic Material
- Cable Entry on Bracket

#### Dimensions



**NOTE:** The actual bracket may vary from the picture above.

#### Fits the Following Cameras

DS-2CD2942F-IS

#### Order Model

AB-FE2

#### NOTES:

Install mount on flat wall.

Waterproof rubber is necessary for outdoor application.

The wall must be capable of supporting over three times as much as the total weight of the camera and the mount.

Maximum mount load capacity is 4.5 kg (9.92 lbs).