

# DS-2DE7176/74-A

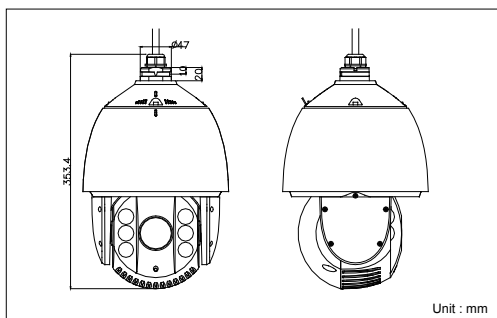
## 1.3MP Network IR PTZ Dome Camera



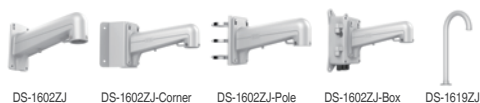
### Key features

- 1/3" Progressive Scan CMOS
- 1280 × 960 HD resolution
- 30X / 20X optical zoom, 16X digital zoom
- 100m IR distance
- True Day/Night, 3D DNR, Digital WDR
- 3D intelligent positioning
- 24VAC / High-PoE power supply

### Dimensions



### Accessories



### Available models

DS-2DE7176-A: 24VAC, outdoor  
 DS-2DE7176-AE: High-PoE & 24VAC, outdoor

DS-2DE7174-A: 24VAC, outdoor  
 DS-2DE7174-AE: High-PoE & 24VAC, outdoor

	DS-2DE7174-A DS-2DE7174-AE	DS-2DE7176-A DS-2DE7176-AE
<b>Camera</b>		
Image sensor	1/3" Progressive Scan CMOS	
Effective pixel	1320K pixels	
Min. illumination	Color : 0.05 lux (F1.4, 1/30 sec, 50 IRE, AGC On) B/W : 0.01 lux (F1.4, 1/30 sec, 50 IRE, AGC On) 0 lux with IR Color : 0.02 lux (F1.4, 1/1 sec, 50 IRE, AGC On) B/W : 0.002 lux (F1.4, 1/1 sec, 50 IRE, AGC On) 0 lux with IR	Color : 0.05 lux (F1.6, 1/30 sec, 50 IRE, AGC On) B/W : 0.01 lux (F1.6, 1/30 sec, 50 IRE, AGC On) 0 lux with IR Color : 0.02 lux (F1.6, 1/1 sec, 50 IRE, AGC On) B/W : 0.002 lux (F1.6, 1/1 sec, 50 IRE, AGC On) 0 lux with IR
White balance	Auto / Manual / ATW / Indoor / Outdoor / Daylight lamp / Sodium lamp	
AGC	Auto / Manual	
S / N ratio	≥ 52dB	
Digital noise Reduction	3D DNR	
Backlight compensation	HLC/BLC	
Defog	Support	
Wide dynamic range	Digital WDR	
Shutter speed	1 ~ 1/10,000s	
Day & Night	IR Cut Filter	
Digital zoom	16X	
Privacy masking	2 privacy masks programmable	
Focus mode	Auto / Semiautomatic / Manual	
<b>Lens</b>		
Focal length	4.7 ~ 94.0mm, 20x	4.3 ~ 129mm, 30x
Zoom speed	Approx 3s(Optical Wide-Tele)	
Angle of view	58.3 ~ 3.2 degree (Wide-Tele)	58.9 ~ 2.11 degree (Wide-Tele)
Min. working distance	10 ~ 1,000mm(Wide-Tele)	10 ~ 1,500mm(Wide-Tele)
Aperture range	F1.4 ~ F3.5	F1.6 ~ F5.0
<b>Pan and Tilt</b>		
Pan / Tilt range	Pan: 360° endless; Tilt: -15° ~ 90° (Auto Flip) Pan Manual Speed: 0.1° ~ 160°/s, Pan Preset Speed: 240°/s Tilt Manual Speed: 0.1° ~ 120°/s, Tilt Preset Speed: 200°/s	
Pan / Tilt speed	Rotation speed can be adjusted automatically according to zoom multiples	
Proportional zoom	300	
Number of preset	300	
Park action	Pattern/Pan scan/Tilt scan/Frame scan/Panorama scan/Random scan	
Patrol	8 patrols, up to 32 presets per patrol	
Power-off memory	Support	
PTZ position display	Support	
Preset freezing	Support	
Scheduled task	Preset / Patrol / Pattern / Pan scan / Tilt scan / Random scan / Frame scan / Panorama scan / Dome reboot / Self-test action / Aux Output	
<b>Infrared</b>		
IR distance	Up to 120m	
IR intensity	Automatically adjusted, depending on the zoom ratio	
<b>Local Video&amp;Audio</b>		
Audio input	1 Mic in/Line in interface, Line input: 2 ~ 2.4V[p-p]; output impedance: 1KΩ, ±10%	
Audio output	1 Audio output interface, Line level, impedance: 600Ω	
Alarm Input	2 (0-5v DC)	
Alarm Output	1 relay output, alarm response actions configurable	
Alarm Trigger	Intrusion detection, Line crossing detection, Motion detection, Audio Exception Detection, Dynamic analysis, Tampering alarm, Network disconnect, IP address conflict, Storage exception	
Alarm Actions	Preset, Patrol, Pattern, Recording, Relay output, Upload center, upload FTP, email linkage	
<b>Network</b>		
Ethernet	10Base-T / 100Base-TX, RJ45 connector	
Max. image resolution	1280×960	
Frame rate	50Hz:25fps(1280×960), 25fps (1280×720) 60Hz:30fps(1280×960), 30fps (1280×720)	
Image compression	H.264/MJPEG	
ROI encoding	Support 2 areas with adjustable levels	
Audio compression	G.711/G.722/G.726/MP2L2	
Protocols	IPv4/IPv6, HTTP, HTTPS, 802.1x, Qos, FTP, SMTP, UPnP, SNMP, DNS, DDNS, NTP, RTSP, RTP, TCP, UDP, IGMP, ICMP, DHCP, PPPoE	
Simultaneous live view	Up to 20	
Streams	Dual streams	
Mini SD memory card	Micro SD Slot, up to 64GB, edge recording	
User/Host level	Up to 32 users, 3 Levels: Administrator, Operator, User	
Security measures	User authentication (ID and PW), Host authentication (MAC address), IP address filtering	
<b>Integration</b>		
Application programming	Open-ended API, support ONVIF, PSIA, CGI and Genetec, Support ezviz cloud P2P	
Web browser	IE 7+, Chrome 18+, Firefox 5.0+, Safari 5.02+	
<b>General</b>		
Power	-A: 24 VAC, max. 30W; -AE: High-PoE & 24 VAC, max. 30W	
Working temperature	-30°C ~ 65°C (-22°F ~ 149°F)	
Humidity	90% or less	
Protection level	IP66; TVS 4,000V lightning protection, surge protection and voltage transient protection	
Dimensions	Φ220 × 353.4mm (Φ8.66" × 13.91")	
Weight	4.5kg(9.92lbs)	
Mount option	Long-arm wall mount: DS-1602ZJ; Corner mount: DS-1602ZJ-corner; Pole Mount: DS-1602ZJ-pole; Power box mount: DS-1602ZJ-box; Swan-neck mount: DS-1619ZJ	