

DS-2CE56F7T-IT3Z

3 MP Motorized VF EXIR Outdoor Turret Camera

- 1/3" (3 MP) High-Performance CMOS
- Analog HD Output
- 2.8 mm to 12 mm Motorized Vari-Focal Lens
- True Day/Night
- OSD Menu, DNR, Smart IR
- True WDR, Up to 120 dB
- EXIR IR, 131 ft (40 m) Range
- IP66 Weatherproof
- Up-the-Coax (HIKVISION-C)



The Hikvision DS-2CE56F7T-IT3Z 3 MP Motorized VF EXIR Turret Camera provides high definition analog output. TurboHD means that the analog signal can be sent over existing RG6 coaxial cable, eliminating the need to run new cables for high definition video.

EXIR is Hikvision's proprietary IR extended range technology, which has a range of 131 feet (40 meters). Smart IR varies IR output based on the zoom setting.

The 2.8 to 12 mm motorized vari-focal lens allows for the correct angle of view to fit any situation. True 120 dB WDR (Wide Dynamic Range)

ensures images will be optimal, no matter what the lighting conditions.

This camera also features a range of Smart functions, including line crossing, intrusion, and region entrance and exit, benefitting users with great improvements on security efficiency and, more importantly, with key events and objects being recorded for further forensic needs.

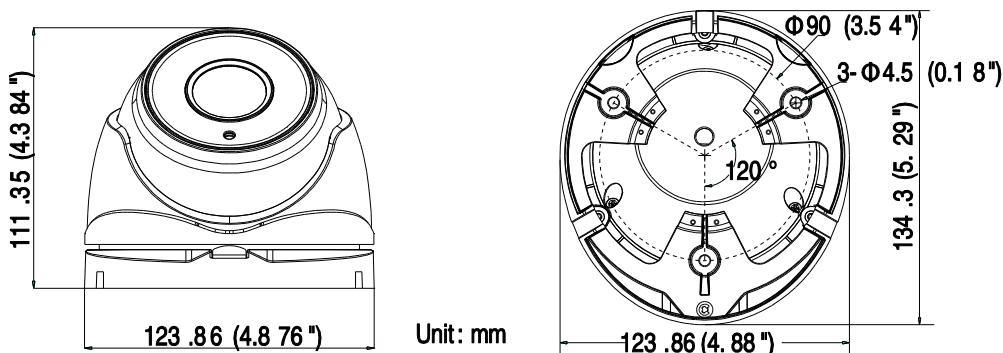
It is an outdoor IP66 camera that supports a wide temperature range.

Available Models: DS-2CE56F7T-IT3Z







| DS-2CE56F7T-IT3Z | |
|----------------------|---|
| Camera | |
| Image Sensor | 1/3" (3 MP) CMOS image sensor |
| Effective Pixels | 2052 x 1536 |
| Minimum Illumination | 0.01 lux @ f/1.2, AGC on, 0 lux with IR |
| Shutter Speed | 1/25 (1/30)s to 1/50,000s |
| Lens | Motorized VF lens; 2.8 mm to 12 mm Angle of view: 26.8° to 83° |
| Lens Mount | φ14 |
| Day/Night | ICR |
| 3-Axis Positioning | Pan: 0° to 360°; tilt: 0° to 75°; rotate: 0° to 360° |
| Synchronization | Internal synchronization |
| WDR | 120 dB |
| Video Frame Rate | 1920 × 1536 @ 18 fps |
| HD Video Output | 1 analog HD-TVI output |
| S/N Ratio | >62 dB |
| Menu | |
| AGC | Supported |
| D/N Mode | Color/BW/Smart |
| White Balance | ATW/MWB |
| BLC | Supported |
| Functions | Wide Dynamic Range, digital noise reduction, mirror, Smart IR |
| General | |
| Operating Conditions | -40° F to 140° F (-40° C to 60° C), humidity 90% or less (non-condensing) |
| Power Supply | 12 VDC ±15% |
| Power Consumption | Maximum 6 W |
| Protection Level | IP66 |
| IR Range | Up to 131 ft (40 m) |
| Communication | Up-the-Coax, protocol: HIKVISION-C (HD-TVI output) |
| Dimensions | 5.29" × 4.88" × 4.39" (134.3 mm × 123.9 mm × 111.4 mm) |
| Weight (approximate) | 1.57 lb (750 g) |

Dimensions



Accessories

| | | | | | | |
|---|---|---|--|---|---|---|
|  |  |  |  |  |  |  |
| PC110T Pendant Cap | PM Pole Mount Adapter | CM Corner Mount | CBS Conduit Base | ABS Inclined Ceiling Mount Bracket | DS-1H18 Video Balun | X41T Video Tester |