

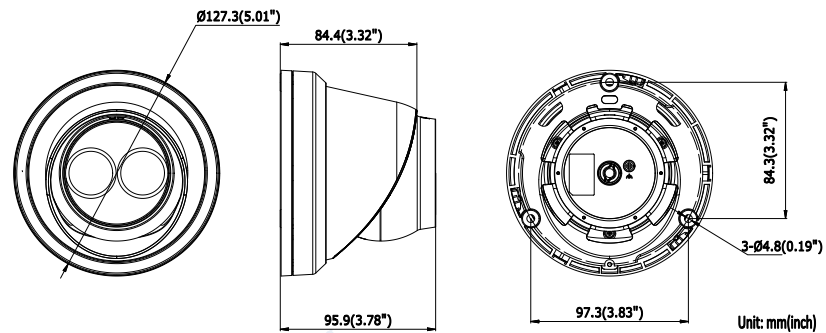
Platinum 2.1MP Network Matrix IR Turret Camera CMIP3322W-28M



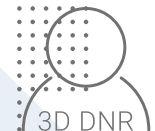
Key Features:

- 2.1MP High Definition
- True 120dB Wide Dynamic Range
- 3D DNR, BLC, Intelligent H.265+, H.265, H.264 Zip+, H.264
- Built-in micro SD/SDHC/SDXC card slot, up to 128 GB
- High performance Matrix IR LED
- IP67
- DC 12V/ PoE

Dimensions:



WDR
120dB



Platinum 2.1MP Network Matrix IR Turret Camera

CMIP3322W-28M

| CAMERA | |
|----------------------|--|
| Image Sensor | 1/2.8" Progressive Scan CMOS |
| Min. Illumination | Color: 0.028 Lux @ (F2.0, AGC ON), 0 Lux with IR |
| Shutter Speed | 1/3 s to 1/100,000 s |
| Lens | 2.8 mm: horizontal FOV: 114° , vertical FOV: 62° , diagonal FOV: 135° |
| Lens Mount | M12 |
| Day & Night | IR cut filter |
| DNR | 3D DNR |
| Wide Dynamic Range | 120dB |
| Angle Adjustment | Pan: 0° ~ 360°, Tilt: 0° ~ 75°, Rotation: 0° ~ 360° |
| Compression Standard | |
| Video Compression | Main stream: H.265/H.264 Sub stream: H.265/H.264/MJPEG Third stream: H.265/H.264 |
| H.264 Type | Main Profile/High Profile |
| H.264 Zip+ | Main stream and sub-stream support |
| H.265 Type | Main Profile |
| H.265+ | Main stream and sub-stream support |
| Video Bit Rate | 32 Kbps ~ 16 Mbps |
| Image | |
| Max. Resolution | 1920 × 1080 |
| Main Stream | 50Hz: 25fps (1920 × 1080, 1280 × 960, 1280 × 720) 60Hz: 30fps (1920 × 1080, 1280 × 960, 1280 × 720) |
| Sub Stream | 50Hz: 25fps (640 × 480, 640 × 360, 320 × 240) 60Hz: 30fps (640 × 480, 640 × 360, 320 × 240) |
| Third Stream | 50Hz: 25fps (1920 × 1080, 1280 × 720, 640 × 360, 352 × 288) 60Hz: 30fps (1920 × 1080, 1280 × 720, 640 × 360, 352 × 240) |
| Image Enhancement | BLC/3D DNR |
| Behavior Analysis | Line crossing detection, intrusion detection |
| Face Detecti | Yes |
| ROI | 1 fixed region for main stream and sub-stream |
| Image Settings | Rotate mode, saturation, brightness, contrast, sharpness adjustable by client software or web browser |
| Target Cropping | No |
| Day/Night Switch | Auto/Scheduled |
| Network | |
| Network Storage | Support microSD/SDHC/SDXC card (128G), local storage and NAS (NFS,SMB/CIFS), ANR |
| Alarm Trigger | Motion Detection, Tampering Alarm, Network Disconnected, IP Address Conflict, Illegal Login, HDD full, HDD error |
| Protocols | TCP/IP,ICMP,HTTP,HTTPS,FTP,DHCP,DNS,DDNS,RTP,RTSP,RTCP,PPPoE,NTP,UPnP™,SMTP,SNMP, IGMP,802.1X,QoS,IPv6, Bonjour |
| Standard | ONVIF(PROFILE S,PROFILE G),ISAPI |
| General Function | One-key Reset, Anti-Flicker, Heartbeat, Mirror, Password Protection, Privacy Mask, Watermark, IP Address Filter |

Platinum 2.1MP Network Matrix IR Turret Camera

CMIP3322W-28M

| | |
|-------------------------------|---|
| Simultaneous Live View | Up to 6 channels |
| User/Host | Up to 32 users, 3 levels: Administrator, Operator and User |
| Interface | |
| Communication Interface | 1 RJ45 10M/100M self-adaptive Ethernet port |
| On-board Storage | Built-in microSD/SDHC/SDXC slot, up to 128 GB |
| Video Output | No |
| SVC | H.264 and H.265 encoding |
| Reset Button | Reset Button |
| General | |
| Operating Conditions | -22 ° F ~+140 ° F (-30 ° C ~+60 ° C) Humidity 95% or less (non-condensing) |
| Power Supply | 12 VDC ± 25%, Ø 5.5 mm coaxial power plug PoE (802.3af, class 3) |
| Power Consumption and Current | 12 VDC, 0.5A, max. 6W PoE (802.3af, 37V to 57V), 0.2A to 0.1A, max. 7.5W |
| IR Range | Up to 100ft(30m) |
| Protection Level | IP67 |
| Dimensions | 5.01" × 3.78" (Ø 127.3 × 95.9 mm) |
| Weight | 1.3 lb. (610 g) |