



DWC-MV72i4V / DWC-MV72i28V



Username: **admin** Password: **admin**

WHAT'S IN THE BOX

| | | | | | |
|---|--|-------|-------------------------------|--|-------|
| QSG Manual | | 1 Set | Mount Bolt & Nut – 2pcs | | 1 Set |
| Manual CD | | 1 Set | Screw & Plastic Anchor – 2pcs | | 1 Set |
| Template Sheet for installing by Bolt & Nut | | 1 Set | Torx Wrench | | 1 Set |

Attention: This document is intended to serve as a quick reference page for initial set-up. It is recommended that the user read the entire instruction manual for complete and proper camera usage.

Step 1 – PREPARING TO MOUNT THE CAMERA

1. The mounting surface must bear five times the weight of your camera.
2. Do not let the cables get caught in improper places or the electric line cover to be damaged. This may cause a breakdown or fire.
3. For the installation process, remove the dome cover from the camera module by loosening the three (3) screws on the dome. Use the wrench provided with the camera.
4. Using the mounting template sheet or the camera itself, mark and drill the necessary holes in the wall or ceiling.

Step 2 – CABLING THE CAMERA TO EXTERNAL DEVICES

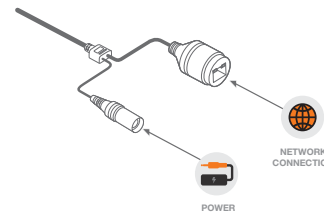
5. Pass the wires through the mount bracket and make all necessary connections.
 - a. NETWORK CONNECTIONS – If you are using a PoE Switch, connect the camera using an Ethernet cable for both data and power.
 - b. NETWORK CONNECTIONS – If you are using a non-PoE switch, connect the camera to the switch using an Ethernet cable for data transmission and use a power adapter to power the camera.

Power Requirements

DC 12V
PoE IEEE 802.3atPoE+ / PoE Class 2

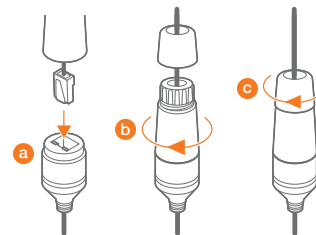
Power Consumption

LED Off: 1.92W, 160mA
LED On: 2.7W, 230mA (IR models only)



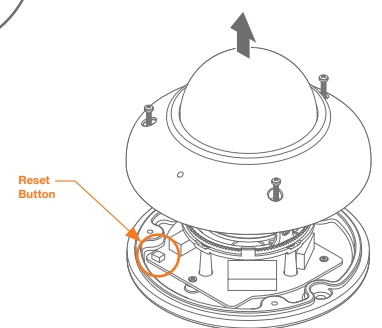
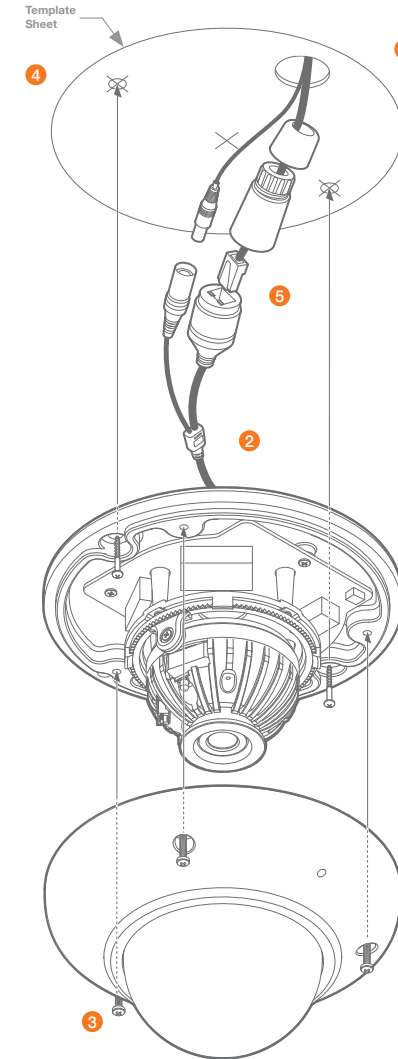
Step 3 – INSTALLING THE CAMERA

6. To use the camera's water proof wiring:
 - (1). Install the LAN cable into (a).
 - (2). (b) will be assembled to (a) with a 1/4 turn.
 - (3). Thread (c) tightly to (b).



Note: To ensure moisture seal, make sure the o-ring is in place between (a) and (b). In extreme environments use of an outdoor rated sealer is recommended.

7. Use the camera's 3-Axis gimbal to adjust the camera's tilt and angle. The camera's maximum tilting angle is 70.
8. Assemble the dome cover over the camera body and detach the protecting film from the dome bubble.

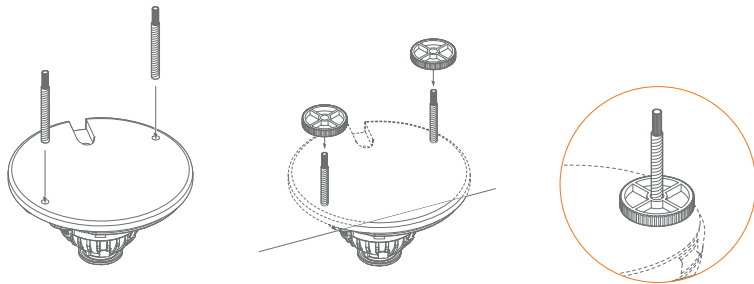


Resetting the camera: To reset the camera, use the tip of a paper clip or a pencil and press the reset button. Pressing the button for five (5) seconds will initiate a camera-wide reset of all the settings, including network settings.

Step 3 – INSTALLING THE CAMERA (CONT.)

Installation using Mount Bolt and Screws:

- Using the template sheet, make and drill the cabling holes on the wall/ceiling.
- Secure the two long mounting screws to the camera's base.
- Pass the wires through the mount bracket and make all necessary connections.
- Mount the camera to the mounting surface by using the 2 mounting nuts. Rotate the locking discs over the screws until the camera is held tightly from the mounting surface.



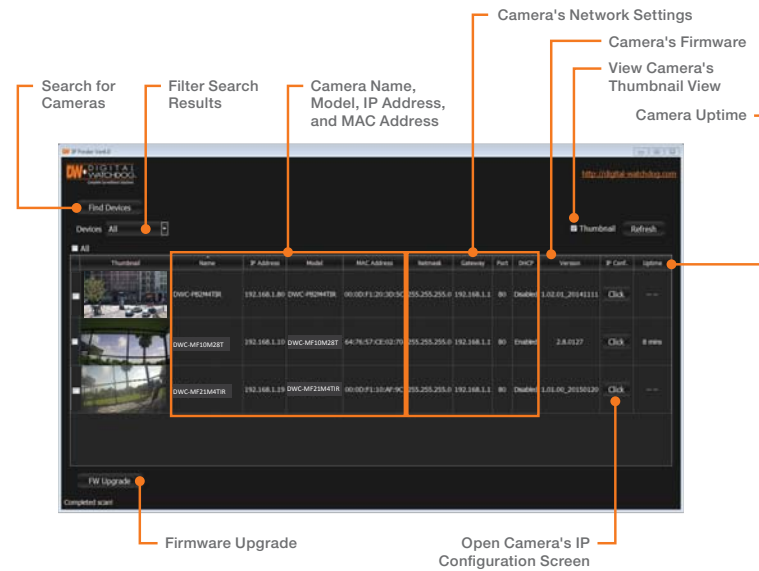
Note: The camera's maximum tilting angle is 70°

Step 4 – DW IP FINDER™

Use the DW IP Finder™ included in the camera's accessory CD to scan the network and detect all MEGApix® cameras, set the camera's network settings, perform firmware upgrade or access the camera's web client.

Network Setup

- Run the CD included with the camera and click on the DW IP Finder™ file.
- The software will scan your network for all supported cameras and display the results in the table. Allow up to 5 seconds for the IP Finder to find the camera on the network.
- Select a camera from the list by double-clicking on the camera's image or clicking on the 'Click' button under the IP Conf. column. The camera's network information will appear. If necessary, you can adjust the camera's network type.



- Select DHCP if the internet service is dynamic IP. This will allow the camera to receive its IP address from the DHCP server.
- Select STATIC to manually enter the camera's IP address, subnet mask, Gateway and DNS information.
- Contact your network administrator for more information.

- The camera's default network information is:

- Default TCP/IP information**
 - IP: 192.168.1.80
 - Subnet Mask: 255.255.255.0
 - Gateway: 192.168.1.1
 - DNS: 168.126.63.1



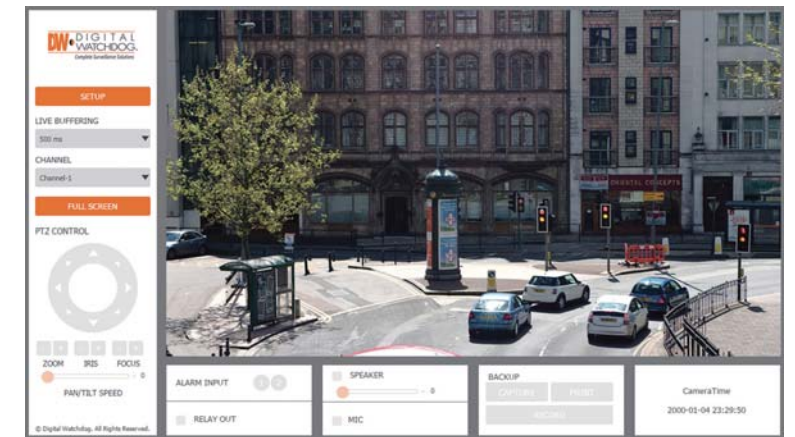
- To view the camera's web viewer, click on 'View Camera Website'.

'Port Forwarding' has to be set in your network's router for external access to the camera.

- To save the changes made to the camera's settings, input the ID and PW of the camera for authentication and click 'Save'.
- If the camera needs to be rebooted after the settings were changed, press the 'Reboot' button. The camera will cycle power and will appear back in the search results once the reboot is complete.

Default ID / PW : admin / admin

Step 5 – WEB VIEWER



Once the camera's network settings have been setup properly, you can access the camera's web viewer using the DW IP Finder™. To open the camera's web viewer:

- Find the camera using the DW IP Finder™.
- Double-click on the camera's view in the results table.
- Press the 'View Camera Website'. The camera's web viewer will open up in your default web browser.
- Enter the camera's username and password (default are admin / admin).
- If you are accessing the camera for the first time, install the VLC files in order to view video from the camera.

Note: Please see the full product manual for web viewer setup, functions and camera settings options.