

XNP-6320HS

2M 32x Network stainless PTZ Dome Camera

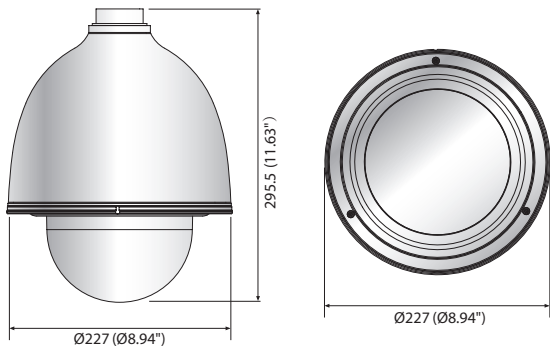


Key Features

- Max. 2Megapixel (1920 x 1080) resolution
- 4.44 ~ 142.6 (32x) optical zoom, 32x digital zoom
- H.265, H.264, MJPEG codec support, Multiple streaming
- WiseStreamII support
- Day & Night (ICR), WDR (150dB)
- Loitering, Directional detection, Fog detection, Audio detection, Digital auto tracking, Sound classification, Face detection, Tampering
- Motion detection
- SD/SDHC/SDXC memory slot (Max. 512GB), 24V AC / PoE
- IP67, IP66, NEMA4X, IK10
- Material : SUS316L

Dimensions

Unit : mm (inch)



Accessories (Optional)



XNP-6320HS	
VIDEO	
Imaging Device	1/2.8" 2.4M CMOS
Total Pixels	1,981(H) x 1,288(V), 2.55M
Effective Pixels	1,944(H) x 1,212(V), 2.35M
Scanning System	Progressive
Min. Illumination	Color : 0.05Lux (F1.6), B/W : 0.005Lux (F1.6)
S/N Ratio	50dB
Video Out	CVBS : 1.0Vpp / 75Ω composite, 720 x 480(N), 720 x 576(P), for installation USB : Micro USB Type B, 1280 x 720 for installation
LENS	
Focal Length (Zoom Ratio)	4.44 ~ 142.6mm (Optical 32x)
Max. Aperture Ratio	F1.6 (Wide) ~ F4.4(Tele)
Angular Field of View	H : 61.8°(Wide) ~ 2.19°(Tele) / V : 36.2°(Wide) ~ 1.24°(Tele)
Min. Object Distance	1.5m (4.92ft) (Wide), 2m (6.56ft) (Tele)
Focus Control	Auto / Manual / One shot AF
Lens / Mount Type	DC Auto Iris / Board-in Type
PAN/TILT/ROTATE	
Pan / Tilt Range	360° Endless / 210° (-15° ~ 195°)
Pan Speed	Preset : 700°/sec, Manual : 0.024°/sec ~ 200°/sec
Tilt Speed	Preset : 700°/sec, Manual : 0.024°/sec ~ 200°/sec
Sequence / Preset Accuracy	Preset (300ea), Swing, Group (6ea), Trace, Tour (1ea), Auto run, Schedule / ±0.2°
Azimuth	Yes (E / W / S / N / NE / NW / SE / SW)
Auto Tracking	Support
OPERATIONAL	
Camera Title	Off / On (Displayed up to 85 characters) - W/W : English / Numeric / Special characters - China : English / Numeric / Special / Chinese Characters - Common : Multi-line (Max. 5), Color (Gray / Green / Red / Blue / Black / White), Transparency, Auto scale by resolution
Day & Night	Auto (ICR) / Color / B/W / Schedule
Backlight Compensation	Off / BLC / HLC / WDR
Wide Dynamic Range	150dB
Contrast Enhancement	SSDR (Off / On)
Digital Noise Reduction	SSNRV (2D + 3D Noise filter) (Off / On)
Digital Image Stabilization	Off / On (Built-in Gyro sensor)
Defog	Auto / Manual / Off
Motion Detection	Off / On (Bea, polygonal)
Privacy Masking	Off / On (24 zones of rectangle zone) - Color : Gray / Green / Red / Blue / Black / White - Zoom ratio option for mask mode - Mosaic option
Gain Control	Off / Low / Middle / High
White Balance	ATW / AWC / Manual / Indoor / Outdoor (included Mercury & Sodium)
Electronic Shutter Speed	Minimum / Maximum / Anti flicker (1 ~ 1/12,000sec)
Digital Zoom	32x
Flip / Mirror	Off / On
Video & Audio Analytics	Tampering, Loitering, Directional detection, Fog detection, Virtual line, Enter/Exit, (Dis) Appear, Audio detection, Face detection, Sound classification
Serial Interface	RS-485 : Samsung-T, Pelco-D/P, Panasonic, Bosch, AD, GE, Vicom, Honeywell
Alarm I/O	Input 4ea / Output 2ea (Relay)
Alarm Triggers	Alarm input, Motion detection, Video & Audio analytics, Network disconnect
Alarm Events	File upload via FTP and E-Mail, Notification via E-Mail, TCP and HTTP, local storage (SD/SDHC/SDXC) or NAS recording at alarm triggers, External output, Preset Support
Pixel Counter	
NETWORK	
Ethernet	RJ-45 (10/100 BASE-T)
Video Compression Format	H.265 / H.264 (MPEG-4 part 10/AVC), MJPEG
Resolution	1920 x 1080, 1280 x 1024, 1280 x 960, 1280 x 720, 1024 x 768, 800 x 600, 800 x 448, 720 x 576, 720 x 480, 640 x 480, 640 x 360, 320 x 240
Max. Framerate	H.265 / H.264 : Max. 60fps at all resolutions, MJPEG : Max. 30fps
Smart Codec	Manual mode (Area-based : 5ea)
WiseStreamII	Support
Video Quality Adjustment	H.265 / H.264 / MJPEG : Target bitrate level control
Bitrate Control Method	H.265 / H.264 : CBR or VBR, MJPEG : VBR
Streaming Capability	Multiple streaming (Up to 10 profiles)
Audio In	Selectable (Mic in / Line in), Supply voltage : 2.5V DC (4mA), Input impedance : approx. 2KΩhm
Audio Out	Line out (3.5mm mono jack), Max output level : 1 Vrms
Audio Compression Format	G.711 u-law / G.726 Selectable, G.726 (ADPCM) 8KHz, G.711 8KHz G.726 : 16Kbps, 24Kbps, 32Kbps, 40Kbps, AAC-LC : 48Kbps at 16KHz
Audio Communication	Bi-directional (2-way)
IP	IPv4, IPv6
Protocol	TCP/IP, UDP/IP, RTP (UDP), RTP (TCP), RTCP, RTSP, NTP, HTTP, HTTPS, SSL/TLS, DHCP, PPPoE, FTP, SMTP, ICMP, IGMP, SNMPv1/v2c/v3 (MIB-2), ARP, DNS, DDNS, QoS, PIM-SM, UPnP, Bonjour
Security	HTTPS(SSL) login authentication, Digest login authentication IP address filtering, User access log, 802.1x authentication (EAP-TLS, EAP-LEAP)
Streaming Method	Unicast / Multicast
Max. User Access	20 users at unicast mode
Edge Storage	Micro SD/SDHC/SDXC 2slot (up to 512 GB) - Continuous recording (1st slot to 2nd slot) - Motion images recorded in the SD/SDHC/SDXC memory card can be downloaded. NAS (Network Attached Storage), Local PC for instant recording
Application Programming Interface	ONVIF profile S/G, SUNAPI 2.0 (HTTP API), Wisenet Open Platform
Webpage Language	English, Korean, Chinese, French, Italian, Spanish, German, Japanese, Russian, Swedish, Portuguese, Czech, Polish, Turkish, Dutch, Hungarian, Greek
Web Viewer	Supported OS : Windows 7, 8.1, 10, Mac OS X 10.10, 10.11, 10.12 Plug-in free WebViewer - Supported Browser : Google Chrome, MS Edge, Mozilla Firefox (Window 64bit only), Apple Safari 10 (Mac OS X only) Plug-in WebViewer - Supported Browser : MS Explore 11, Apple Safari 10 (Mac OS X only)
Central Management Software	SmartViewer, SSM
ENVIRONMENTAL	
Operating Temperature / Humidity	-50°C ~ +55°C (-58°F ~ +131°F) / Less than 90% RH (24V AC) * Start up should be done at above -40°C (-40°F) -35°C ~ +55°C (-31°F ~ +131°F) / Less than 90% RH (PoE+) * Start up should be done at above -25°C (-13°F)
Storage Temperature / Humidity	-30°C ~ +60°C (-22°F ~ +140°F) / Less than 90% RH
Ingress Protection	IP66, IP67, NEMA4X
Vandal Resistance	IK10
ELECTRICAL	
Input Voltage / Current	24V AC ±10%, PoE+ (IEEE802.3at, Class4)
Power Consumption	Max. 24W (Heater off), Max. 65W (24V AC - Heater on)
MECHANICAL	
Color / Material	SUS316L
Dimensions (WxHxD)	Ø227 x 295.5mm (Ø8.94" x 11.63")
Weight	5.3Kg (11.68 lb)

* The latest product information / specification can be found at hanwha-security.com

* Design and specifications are subject to change without notice.

* Wisenet is the proprietary brand of Hanwha Techwin, formerly known as Samsung Techwin.