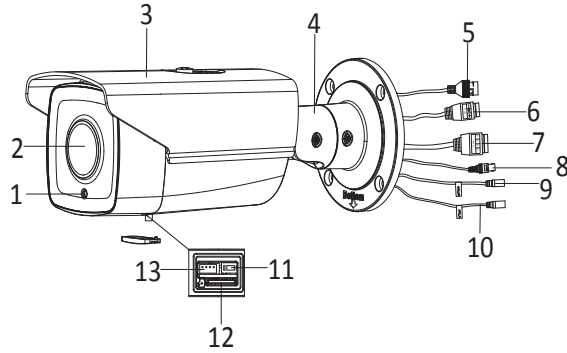


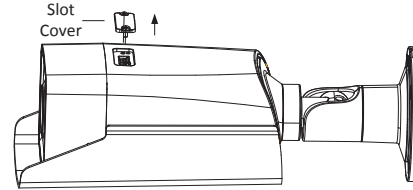
Quick Installation Guide



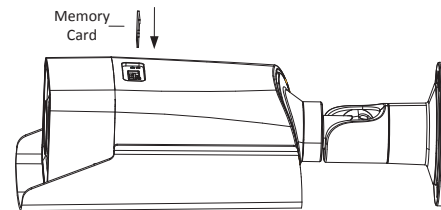
Installation Steps:

1. Memory Card Installation

1) Loosen the two lock screws and remove the slot cover.

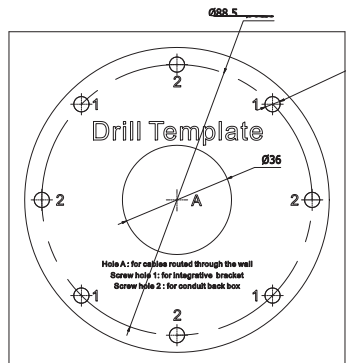


- 2) Insert the memory card into the memory card slot.
- 3) (Optional) To unmount the memory card, push to get it ejected.
- 4) Screw the slot cover back to the camera.



2. Direct Mounting

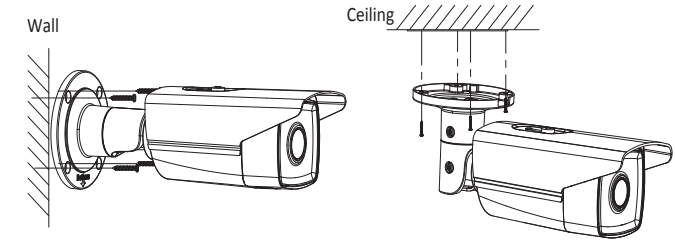
Drill 4 screw holes (hole 1 on drill template) and the cable hole in the ceiling/wall.



3. Fix the camera to the wall/ceiling with the supplied screws.

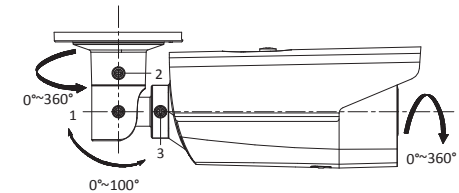
Note:

Insert the expansion screws first if the camera is mounted to the cement wall/ceiling. Use the self-tapping screws directly if camera is mounted to the wooden wall/ceiling.



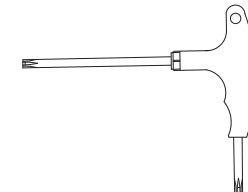
4. Adjust the surveillance angle.

- 1). Loosen No.1 lock screw to adjust the tilt angle [0° to 100°].
- 2). Loosen No.2 lock screw to adjust the pan angle [0° to 360°].
- 3). Loosen No.3 lock screw to rotate the camera [0° to 360°].
- 4). Tighten the lock screws.



Note:

A wrench is supplied to loosen and tighten the screws.



For detailed instructions of further configuration, please refer to the user manual of network camera.

Note:

Press RESET about 10s when the camera is powering on or rebooting to restore the default settings, including the user name, password, IP address, port No., etc.