

LBC 340x/16 Horn Loudspeakers

www.boschsecurity.com



BOSCH
Invented for life



- ▶ Excellent acoustic properties
- ▶ Choice of driver units
- ▶ Water and dust protected to IP 65
- ▶ Versatile mounting bracket
- ▶ UV light resistant

The Bosch professional horn loudspeaker system allows a range of different driver units to be installed into the various horns. The system includes four horns, three circular types with aperture diameters of 255, 380 and 510 mm and a rectangular model with an opening measuring 390 x 235 mm.

Functions

The drivers (ordered separately) are mounted inside the horn, and the connection cable is fed out through a cable gland in the cover plate. This makes the loudspeaker horn/driver unit splash-waterproof, and therefore ideal for outdoor sound reinforcement applications. Three driver units are available, a 15 W, 30 W and a 50 W type for 100 V lines only. See separate datasheet.

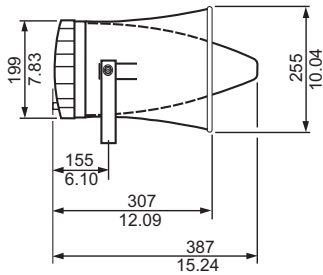
In the construction of the horns, maximum use has been made of standard parts in a modular concept. The screw thread for securing the driver units is a standard 1 3/8-inch thread (1 3/8" - 18 UNEF-2A). The shape of the cover plate gives the horns a distinctive and easily recognizable style.

The cover plates have provision on their inside face for mounting the optional line/loudspeaker supervision board (and for mounting the emergency Connection Adapter).

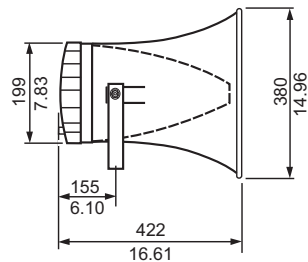
There is also an extra knock-out hole to enable loop-through cabling (if loop-through is used, an extra optional cable gland PG 13.5 must be fitted). They are made from flame-retardant, high-impact plastic combining strength with low weight. This rugged material is resistant to ultraviolet light, aggressive environments and most industrial chemicals. The horns (incl. brackets) are finished in light grey. The sturdy steel mounting bracket (ST 37-2 DIN 1652) allows easy mounting and directing of the horn.

Certifications and approvals

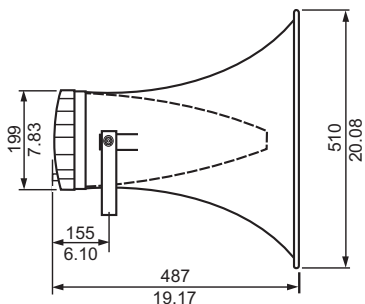
Water and dust protection	acc. to IEC 60529, IP 65 (all models)
Self-extinguishing	acc. to UL 94 Vo

Installation/configuration notes


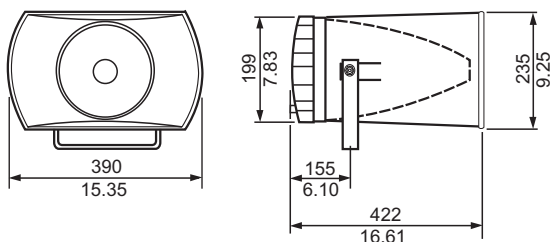
LBC 3403/16 Dimensions in mm (in)



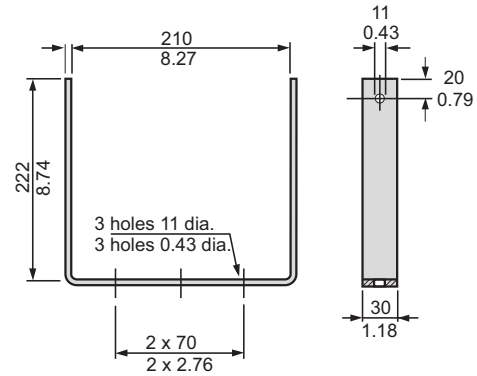
LBC 3404/16 Dimensions in mm (in)



LBC 3405/16 Dimensions in mm (in)



LBC 3406/16 Dimensions in mm (in)



All models mounting bracket dimensions in mm (in)

Ordering information
LBC 3403/16 Horn, Circular, 10" without Driver

Horn 10" without driver unit, circular, high-impact ABS material, suitable for use with horn drivers LBN9000/00 (15 W), LBN 9001/00 (30 W), and LBN9003/00 (50 W), light gray RAL 7035.
 Order number **LBC3403/16**

LBC 3404/16 Horn, Circular, 15" without Driver

Horn 14" without driver unit, circular, high-impact ABS material, suitable for use with horn drivers LBN9000/00 (15 W), LBN 9001/00 (30 W), and LBN9003/00 (50 W), light gray RAL 7035.
 Order number **LBC3404/16**

LBC 3405/16 Horn, Circular, 20" without Driver

Horn 20" without driver unit, circular, high-impact ABS material, suitable for use with horn drivers LBN9000/00 (15 W), LBN 9001/00 (30 W), and LBN9003/00 (50 W), light gray RAL 7035.
 Order number **LBC3405/16**

LBC 3406/16 Horn, Rectangular, 9 x 15" without Driver

Horn 15 x 9" without driver unit, rectangular, high-impact ABS material, suitable for use with horn drivers LBN9000/00 (15 W), LBN 9001/00 (30 W), and LBN9003/00 (50 W), light gray RAL 7035.
 Order number **LBC3406/16**

Accessories
LBC 1256/00 EVAC Connection Adapter

Emergency connection adapter, 3-pole screw ceramic connector with a pre-mounted thermal fuse, to be installed in series with the 100 V primary connection of a loudspeaker unit, set of 100 pieces.
 Order number **LBC1256/00**

LBN 9000/00 Driver Unit, 15 W

Horn driver 15 W, for use with LBC3403/16 (10"), LBC3404/16 (14"), LBC3405/16 (20"), and LBC3406/16 (15 x 9") horns.
 Order number **LBN9000/00**

LBN 9001/00 Driver Unit, 30 W

Horn driver 30 W, for use with LBC3403/16 (10"), LBC3404/16 (14"), LBC3405/16 (20"), and LBC3406/16 (15 x 9") horns.





Order number **LBN9001/00**

LBN 9003/00 Driver Unit, 50 W

Horn driver 50 W, for use with LBC3403/16 (10"), LBC3404/16 (14"), LBC3405/16 (20"), and LBC3406/16 (15 x 9") horns.

Order number **LBN9003/00**

LBC 340x/16 Horn Loudspeakers

	LBC 3403/16 Horn, Circular, 10" without Driver	LBC 3404/16 Horn, Circular, 15" without Driver	LBC 3405/16 Horn, Circular, 20" without Driver	LBC 3406/16 Horn, Rectangular, 9 x 15" without Driver
				
Electrical				
Sound pressure level at rated power/1 W (1 kHz, 1 m) with driver: LBN 9000/00 LBN 9001/00 LBN 9003/00	121 / 109 dB (SPL) 125 / 110 dB (SPL) 127 / 110 dB (SPL)	124 / 112 dB (SPL) 128 / 113 dB (SPL) 130 / 113 dB (SPL)	125 / 113 dB (SPL) 129 / 114 dB (SPL) 132 / 115 dB (SPL)	122 / 110 dB (SPL) 127 / 112 dB (SPL) 129 / 112 dB (SPL)
Eff. frequency range (-10 dB) with driver: LBN 9000/00 LBN 9001/00 LBN 9003/00	400 Hz to 7 kHz 350 Hz to 6 kHz 380 Hz to 10 kHz	400 Hz to 9 kHz 300 Hz to 8.5 kHz 350 Hz to 10 kHz	400 Hz to 9 kHz 300 Hz to 8 kHz 350 Hz to 9 kHz	350 Hz to 6.5 kHz 300 Hz to 8 kHz 380 Hz to 10 kHz
Opening angle at 1 kHz/4 kHz (-6 dB)	90° / 30°	70° / 25°	60° / 35°	100° / 35° horizontal 65° / 30° vertical
Mechanical				
Dimensions (L x D)	387 x 255 mm (15.25 x 10.47 in)	422 x 380 mm (16.63 x 14.97 in)	487 x 510 mm (19.19 x 20.09 in)	422 x (390 x 235) mm (16.63 x (15.37 x 9.26) in)
Weight (without driver)	2.94 kg (6.48 lb)	3.34 kg (7.36 lb)	3.54 kg (7.80 lb)	3.14 kg (6.92 lb)
Color	light grey (RAL 7035)	light grey (RAL 7035)	light grey (RAL 7035)	light grey (RAL 7035)
Cable diameter	6 to 10.5 mm (0.24 to 0.41 in)	6 to 10.5 mm (0.24 to 0.41 in)	6 to 10.5 mm (0.24 to 0.41 in)	6 to 10.5 mm (0.24 to 0.41 in)
Environmental				
Operating temperature	-25° to +55°C (-13° to 131°F)	-25° to +55°C (-13° to 131°F)	-25° to +55°C (-13° to 131°F)	-25° to +55°C (-13° to 131°F)
Storage temperature	-40 to +70 °C (-40 to +158 °F)	-40 to +70 °C (-40 to +158 °F)	-40 to +70 °C (-40 to +158 °F)	-40 to +70 °C (-40 to +158 °F)
Relative humidity	<95%	<95%	<95%	<95%

Represented by:
Americas:

Bosch Security Systems, Inc.
12000 Portland Avenue South
Burnsville MN 55337, USA
Phone: +1-800-392-3497
Fax: +1-800-955-6831
audiosupport@us.bosch.com
www.boschsecurity.com

Europe, Middle East, Africa:

Bosch Security Systems B.V.
P.O. Box 80002
5617 BA Eindhoven, The Netherlands
Phone: + 31 40 2577 284
Fax: +31 40 2577 330
emea.securitysystems@bosch.com
www.boschsecurity.com

Asia-Pacific:

Robert Bosch (SEA) Pte Ltd, Security
Systems
11 Bishan Street 21
Singapore 573943
Phone: +65 6571 2808
Fax: +65 6571 2699
apr.securitysystems@bosch.com
www.boschsecurity.asia

China:

Bosch (Shanghai) Security Systems Ltd.
201 Building, No. 333 Fuquan Road
North IBP
Changning District, Shanghai
200335 China
Phone +86 21 22181111
Fax: +86 21 22182398
www.boschsecurity.com.cn

America Latina:

Robert Bosch Ltda Security Systems Division
Via Anhanguera, Km 98
CEP 13065-900
Campinas, Sao Paulo, Brazil
Phone: +55 19 2103 2860
Fax: +55 19 2103 2862
latam.boschsecurity@bosch.com
www.boschsecurity.com