

2MP 22x Starlight IR Network PTZ Dome Camera

IPC6252SR-X22U(G)



Key Features

Optics

- Starlight illumination
- Accurate and fast focusing
- Smart IR, up to 200 m (656ft) IR distance
- Optical glass window with higher light transmittance
- IR anti-reflection window to increase the infrared transmittance

Compression

- Ultra 265, H.265, H.264, MJPEG
- Embedded smart algorithm
- Triple streams
- Customized OSD
- 1080P@60fps Supported

Network

- ONVIF Conformance

Structure

- 15° Elevation Angle
- Innovative snow-removing functionality
- More effective heat dissipation system
- Intelligent temperature control technology
- 6 KV surge protection designed for network interface

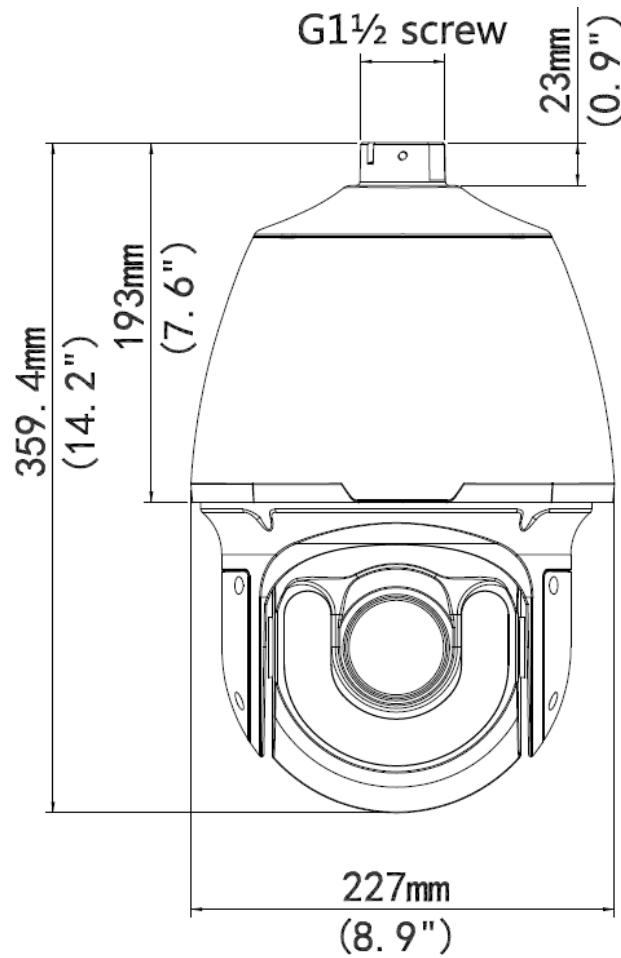
Specifications

| | IPC6252SR-X22U | IPC6252SR-X22UG | | | |
|-------------------------|--|-----------------|------------|--------------|-------------|
| Camera | | | | | |
| Sensor | 1/1.9", progressive scan, 2.0 megapixel, CMOS | | | | |
| Lens | 6.5 ~ 143 mm , AF automatic focusing and motorized zoom lens | | | | |
| Digital Zoom | 16 | | | | |
| Optical Zoom | 22 | | | | |
| DORI Distance | Lens | Detect(m) | Observe(m) | Recognize(m) | Identify(m) |
| | 4.5mm | 78 | 31.2 | 15.6 | 7.8 |
| | 143mm | 1716 | 686.4 | 343.2 | 171.6 |
| Angle of View (H) | 57.2°~3.3° | | | | |
| Angle of View (V) | 38.4°~1.3° | | | | |
| Angle of View (O) | 70.4°~3.9° | | | | |
| Shutter | Auto/Manual; shutter time: 1/6 s ~ 1/100000 s | | | | |
| Minimum Illumination | Colour: 0.001Lux (F1.5, AGC ON) 0 Lux with IR | | | | |
| Iris | Auto/Manual; F1.5 ~ F3.4 | | | | |
| Day/Night | IR-cut filter with auto switch (ICR) | | | | |
| Digital noise reduction | 2D/3D DNR | | | | |
| S/N | >52dB | | | | |
| IR Range | UP to 200m (656ft) | | | | |
| Defog | Digital Defog | | | | |
| WDR | 120dB | | | | |
| Video | | | | | |
| Video Compression | Ultra 265,H.265, H.264, MJPEG | | | | |
| H.264 code profile | Baseline profile, Main Profile, High Profile | | | | |
| Frame Rate | Main Stream:2MP (1920×1080):Max. 60 fps; Sub Stream:2MP (1920×1080):Max. 60 fps; Third Stream: D1 (720×576): Max. 60 fps | | | | |
| HLC | Supported | | | | |
| BLC | Supported | | | | |
| EIS | Supported | | | | |
| OSD | Up to 8 OSDs | | | | |

| | | |
|----------------------------|--|---|
| Privacy Mask | Up to 24 areas | |
| ROI | Supported | |
| Motion Detection | Up to 4 areas | |
| Smart | | |
| Behavior Detection | Intrusion, cross line, motion detection, Auto tracking | |
| Intrusion | Enter and loiter in a pre-defined virtual region | |
| cross line | Cross a pre-defined virtual line | |
| motion detection | Moving within a pre-defined virtual region | |
| auto tracking | Tracking the specified target | |
| Recognition | Face detection、Audio detection | |
| Intelligent Identification | Defocus, Scene Change | |
| Statistical Analysis | People counting | |
| General Function | Watermark, IP Address Filtering, Tampering Alarm, Alarm input, Alarm output, Access Policy, ARP Protection, RTSP Authentication, User Authentication | |
| Audio | | |
| Audio Compression | G.711 | |
| Two-way audio | Supported | |
| Suppression | Supported | |
| Sampling Rate | 8 KHZ | |
| Storage | | |
| Edge Storage | Micro SD, up to 128 GB | |
| Network Storage | ANR | |
| Network | | |
| Protocols | IPv4, IGMP, ICMP, ARP, TCP, UDP, DHCP, PPPoE, RTP, RTSP, RTCP, DNS, DDNS, NTP, FTP, UPnP, HTTP, HTTPS, SMTP, 802.1x, SNMP | |
| Compatible Integration | ONVIF(Profile S, Profile G), API | |
| Pan & Tilt | | |
| Pan Range | 360° (endless) | |
| Pan Speed | 0.1°/s ~ 240°/s | |
| | Preset speed: 300°/s | |
| Tilt Range | -15° ~ +90° (auto reverse) | |
| Tilt Speed | 0.1° ~ 160°/s | |
| | Preset speed: 240°/s | |
| Number of Presets | 1024 | |
| Patrol | Preset patrol, route patrol, recorded patrol | |
| Home Position | Supported | |
| Interface | | |
| Audio I/O | Audio cable | |
| | Input: impedance 35 kΩ; amplitude 2 V [p-p] | |
| | Output: impedance 600 Ω; amplitude 2 V [p-p] | |
| Alarm I/O | 2 / 1 | |
| Serial Port | 1 RS485 | |
| Network | 1 RJ45 10M/100M Base-TX Ethernet | 1 RJ45 100M Base-FX SFP+10M/100M Base-TX Ethernet |
| Video Output | 1 BNC, impedance 75 Ω; amplitude 1 V [p-p] | |

| General | |
|------------------------|---|
| Power | 24 V AC (Default) $\pm 25\%$, 24 V DC $\pm 25\%$ |
| | Power consumption: 11~47W |
| Dimensions(ϕ xH) | $\phi 227 \times 359.4$ mm ($\phi 8.9'' \times 14.2''$) |
| Weight | 5.5kg (12.1lb) |
| Working Environment | $-40^{\circ}\text{C} \sim +70^{\circ}\text{C}$ ($-40^{\circ}\text{F} \sim 158^{\circ}\text{F}$), Humidity:10%~ 95% RH(non-condensing) |
| Ingress Protection | IP66 |
| Reset Button | Supported |

Dimensions



Accessories

| Installation mode | Accessories | Description |
|---------------------|---|--|
| Pendant mount | TR-CE45-IN bracket | / |
| | Pendant components: TR-UF45-A-IN ceiling plate TR-SE45-IN pendant rod (200mm) TR-SE45-A-IN pendant rod (500mm) | Ceiling plate is optional with different pendant rod for various applications |
| Standing pole mount | Customized bracket | The interface is designed with internal G1½ screws. The screw depth must be more than 23 mm |
| Wall mount | TR-WE45-IN bracket | / |
| Corner mount | TR-WE45-IN bracket + TR-UC08-A/B-IN bracket | / |
| Pole mount | TR-WE45-IN bracket + TR-UP08-A/B-IN bracket | / |

Zhejiang Uniview Technologies Co., Ltd.

Building No.10, Wanlun Science Park, Jiangling Road 88, Binjiang District, Hangzhou, Zhejiang, China (310051)

Email: overseasbusiness@uniview.com; globalsupport@uniview.com

<http://www.uniview.com>

©2016 -2018 Zhejiang Uniview Technologies Co., Ltd. All rights reserved.

*Product specifications and availability are subject to change without notice.