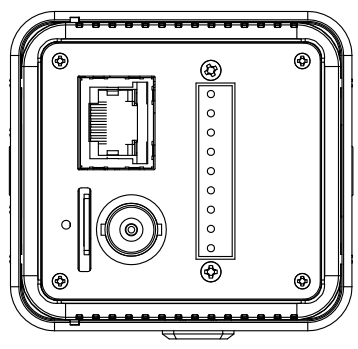
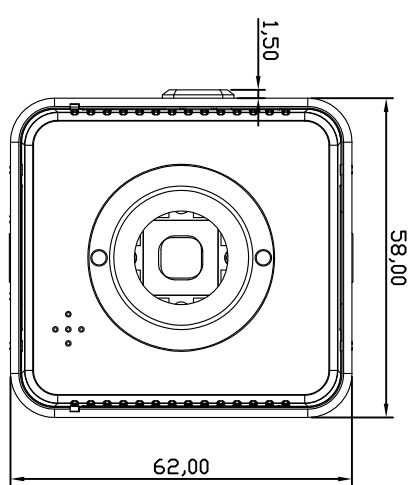
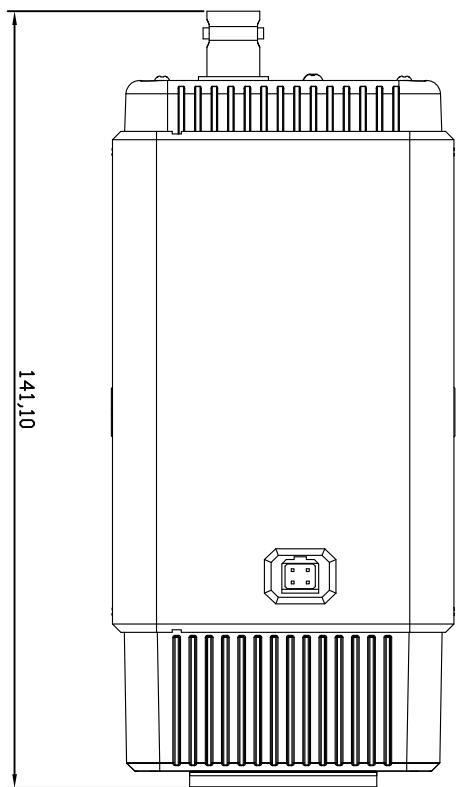
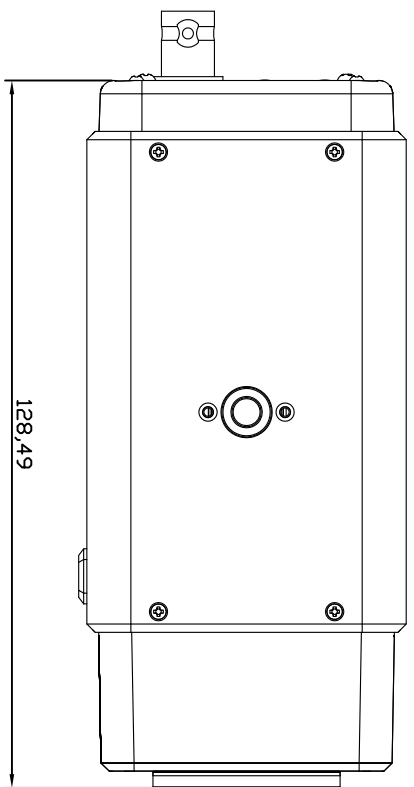


A B C D E F G H I J

P/N



REV.	DATE	ECO NO.	DESCRIPTION	DRAW BY	APPR. BY	APPD. DONALD	DATE	<input type="checkbox"/> TOLERANCES UNLESS OTHERWISE SPECIFIED <input type="checkbox"/> REMOVE ALL SHARP EDGES <input type="checkbox"/> REMOVE ALL SHARP EDGE & BURS	TITLE A-MTK Co. Ltd.	MATERIAL: FINISH:	SCALE 1:1	UNIT mm	PROJ. 	DWG. NO.	SHEET 1/1
						DSN. Donald	DATE	X. ± 0,2							
						CHKD. Donald	DATE	.XX ± 0,15							
								.XXX ± 0,10							
								± 0,05							
								± 1/4"							

2 6 5 4 3 2 1