

# PJSK-0100



- 3 axis joysticks for PTZ control
- USB 1.1 HID compliant controller
- Programmable pushbutton switches
- Easy to use and operate
- Compatible with ACTi's video management system

## ► Specifications

### Device

Original Manufacturer	APEM
Product Type	Joystick
Original Model	100-550-BLK-RF
Application Environment	Indoor
Description	Joystick for PTZ Control (for all ENR, INR, and MNR Series)
Joystick Performance	Hall effect three axis joystick; X/Y/Z for positioning control
Joystick Travel	36° for X and Y axis; 60° for Z axis
Centering	Single spring, Omni-Directional
Pushbutton performance	10 tactile pushbuttons on housing; Two tactile pushbuttons on joystick; 3,000,000 cycles
Supported Protocols	USB HID 1.1 controller, Direct X, Joystick: Three HID axes, Pushbuttons: 12 HID buttons, Standard DirectX HID drivers

### System

Operating System	Windows 7, Windows XP, Windows 8, Mac OS, Linux
------------------	---

### Integration

Unified Solution	Fully compatible with ACTi video management system
------------------	--

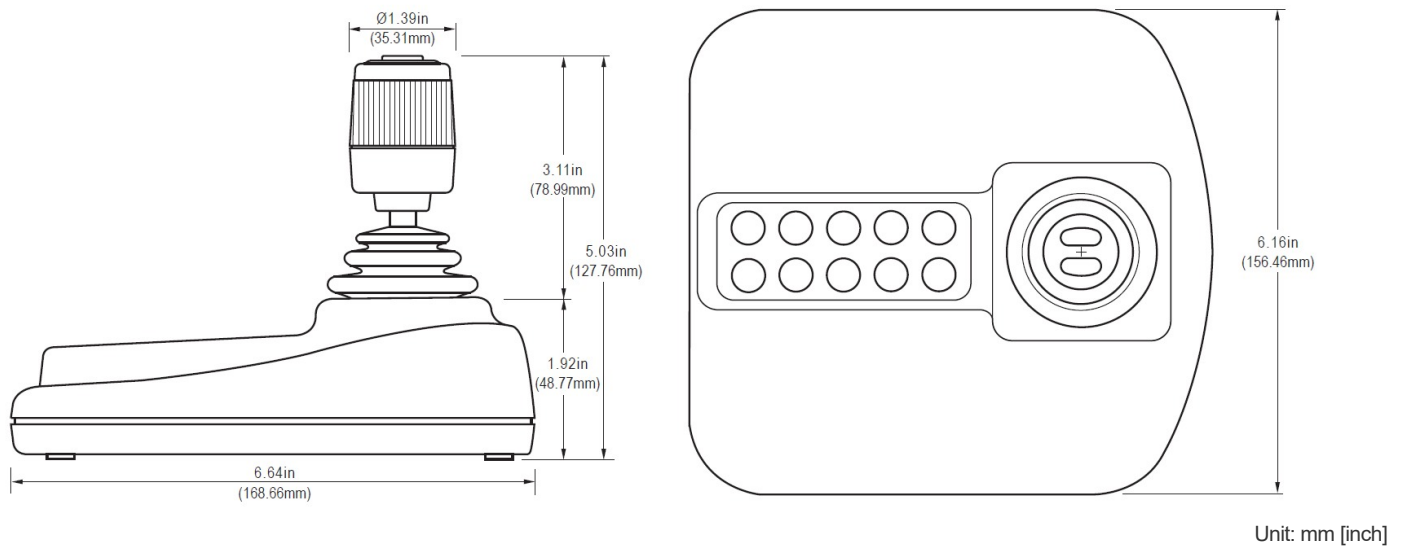
**Interface**

Joystick Connectors	USB Type A Male; Cable Length: 2m (6.8")
---------------------	--

**General**

Power Source	DC 5V, via USB interface
Power Consumption	32mA
Weight	440g (0.970lb)
Dimensions	(W x H x D): 156.46mm x 127.76mm x 168.66mm (6.15" x 5.02" x 6.64")
Operating Temperature	-25°C ~ 85°C (-13°F ~ 185°F)
Approvals	EN 55024:1998, EN 55022, CE, FCC Class B, RoHS compliant
Color	Black
Material	Joystick shaft: Stainless Steel Joystick boot: Neoprene Joystick handle: Glass filled nylon Desktop housing: High impact ABS
Warranty	1 Year(s)






**► Dimension Diagram**



**► Related Products**

**NVR - Standalone NVR**

ENR-010P		4-Channel 1-Bay Mini Standalone NVR with 4-port PoE connectors, Recording Throughput 16 Mbps, HDMI Port, Remote Access, Video Export via USB, 4-Channel Synchronized Playback, 4-channel free license included, Plug & Play with Built-in DHCP Server, 1-Bay (Storage Disks not included), DC 48V
ENR-020P		9-Channel 1-Bay Mini Standalone NVR with 8-port PoE connectors, Recording Throughput 36 Mbps, HDMI Port, Remote Access, Video Export via USB, 9-Channel Synchronized Playback, 9-channel free license included, Plug & Play with Built-in DHCP Server, 1-Bay (Storage Disks not included), DC 48V

ENR-130		16-Channel 2-Bay Desktop Standalone NVR with Recording Throughput 48 Mbps, HDMI Port, Remote Access, Video Export via USB, 16-Channel Synchronized Playback, 16-channel free license included, Plug & Play with Built-in DHCP Server, 2-Bay (Storage Disks not included), DC 12V
ENR-421		32-Channel 4-Bay Rackmount Standalone NVR with Recording Throughput 300 Mbps, HDMI Port, Remote Access, Video Export via USB, 16-Channel Synchronized Playback, 32-channel free license included, Supports External Storage (iSCSI), Plug & Play with Built-in DHCP Server, 4-Bay (Storage Disks not included), Audio, DI/DO, AC 100-240V
INR-440		200-Channel 12-Bay RAID Rackmount Standalone NVR with Redundant Power Supply, Recording Throughput 300 Mbps, Instant Playback, e-Map, VGA Port, Remote Access, Video Export, 64-Channel Synchronized Playback, 64-channel free license included (for ACTi video devices) and additional license required (for integration with POS, access control and extended devices), Supports External Storage (SAS, iSCSI), Hardware RAID 0, 1, 5, 6, 10, 50, 60, 12-Bay (Storage Disks not included), AC 100-240V
INR-450		200-Channel 12-Bay RAID Rackmount Standalone NVR with Redundant Power Supply, Additional Computing Power, Recording Throughput 300 Mbps, Instant Playback, e-Map, VGA Port, Remote Access, Video Export, 64-Channel Synchronized Playback, 64-channel free license included (for ACTi video devices) and additional license required (for integration with POS, access control and extended devices), Supports External Storage (iSCSI), Hardware RAID 0, 1, 5, 6, 10, 50, 60, 12-Bay (Storage Disks not included), AC 100-240V
MNR-310		32-Channel 2-Bay Transportation Standalone NVR with Recording Throughput 192 Mbps, Instant Playback, e-Map, HDMI and VGA Port, Remote Access, Video Export, 32-Channel Synchronized Playback, 16-channel free license included (for ACTi video devices) and additional license required (for integration with POS, access control and extended devices), Supports External Storage (eSATA, iSCSI), Software RAID 0,1, 2-Bay (Storage Disks not included), Wireless (Optional), DC 9-36V/AC 100-240V, e-Mark
MNR-320P		16-Channel 1-Bay GPS Transportation Standalone NVR with 4-port PoE Connectors, with Recording Throughput 192 Mbps, Instant Playback, e-Map, Shock Detection with built-in G-sensor, HDMI and VGA Port, Remote Access, Video Export, 16-Channel Synchronized Playback, 16-channel free license included (for ACTi video devices) and additional license required (for integration with POS, access control and extended devices), 1-Bay (Storage Disks not included), Wireless (Optional), Audio, DI/DO, DC 9-36V, e-Mark
MNR-330P		16-Channel 1-Bay GPS Transportation Standalone NVR with 4-port PoE Connectors, Additional Computing Power, with Recording Throughput 192 Mbps, Instant Playback, e-Map, Shock Detection with built-in G-sensor, HDMI and VGA Port, Remote Access, Video Export, 16-Channel Synchronized Playback, 16-channel free license included (for ACTi video devices) and additional license required (for integration with POS, access control and extended devices), 1-Bay (Storage Disks not included), Wireless (Optional), Audio, DI/DO, DC 9-36V, e-Mark