

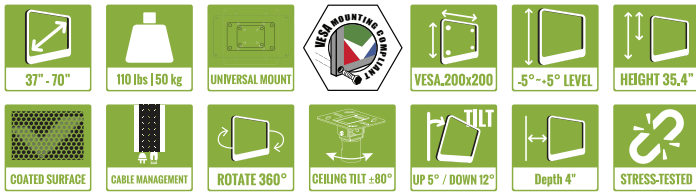
VZ-CMKit-04 ADVANTAGES

- Mounting head for 37" to 70" CCTV & video wall monitors
- Load capacity is 50 kg / 110 lbs
- Additional features allow 5° tilt up and 12° tilt down adjustment as well as 360° pan rotation for achieving that perfect viewing angle
- ± 5° Level adjustment
- VESA Standard & Universal Mounting support
- Easy cable management & installation

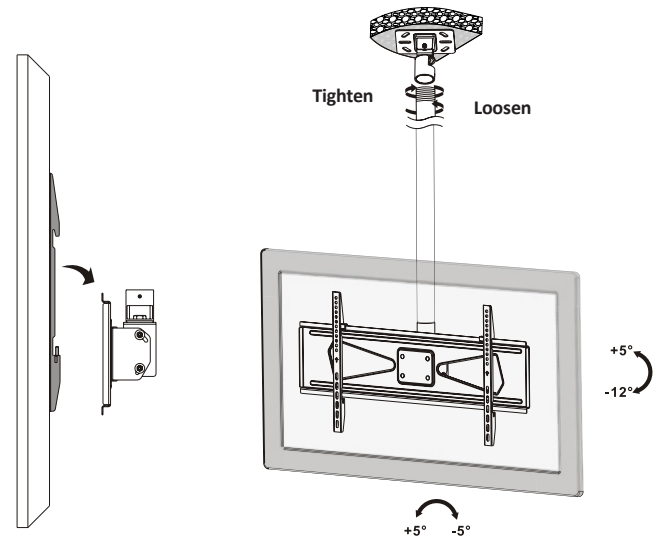
Designed specifically for



FEATURES



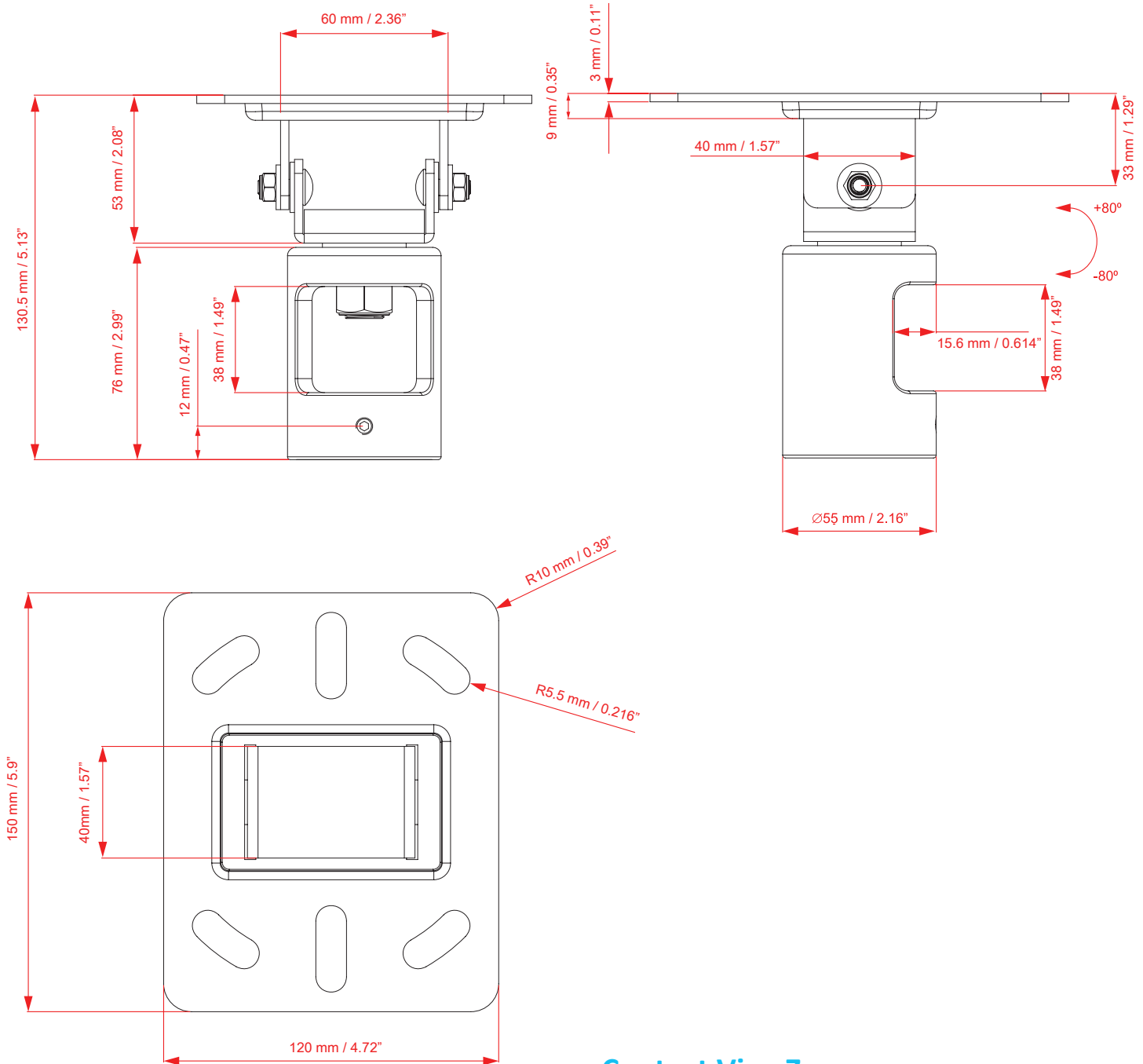
| MODEL # | VZ-CMKit-04 |
|--------------------------------------|---|
| FEATURES | |
| Net Weight | 17.98 lbs / 8.16 kg |
| Weight Capacity | 110 lbs / 50 kg |
| Display Range | 37" ~ 70" |
| VZ-CM-V3 Size (W x H x D) | 904 x 440 x 103mm / 35.59 x 17.32 x 4.05" |
| VZ-CM-V3 Pole (R x Length) | Ø 38.1 x 76mm / Ø 1.5 x 3" |
| VZ-CM-T Plate Size (W x H x D) | 150 x 120 x 53mm / 5.9" x 4.72" x 2.08" |
| VZ-CM-T Pole (R x Length) | Ø 38.1 x 76mm / Ø 1.5 x 3" |
| VZ-CM-P36 Pole (R x Length) | Ø 48 x 900mm / Ø 1.88 x 35.43" |
| VZ-CM-P36 Thread (R x Length) | Ø 38.1 mm / Ø 1-1/2" |
| PAN Rotation | 360° |
| Tilt Capability (VZ-CM-V3 / VZ-CM-T) | +5° ~ -12° / ± 80° |
| Level Capability (VZ-CM-V3) | +5° ~ -5° |
| Mounting Patterns Type | Range |
| Mounting Patterns (Universal) | 200 x 200 (Min) ~ 800 x 400 (Max) mm |



Contact ViewZ

- Address : 177 W. Orangethorpe Ave., Placentia, CA 92870
- Phone : (714) 996-1177, Fax : (714) 996-1138
- Sales : sales@viewzusa.com
- Specification subject to change without notice.

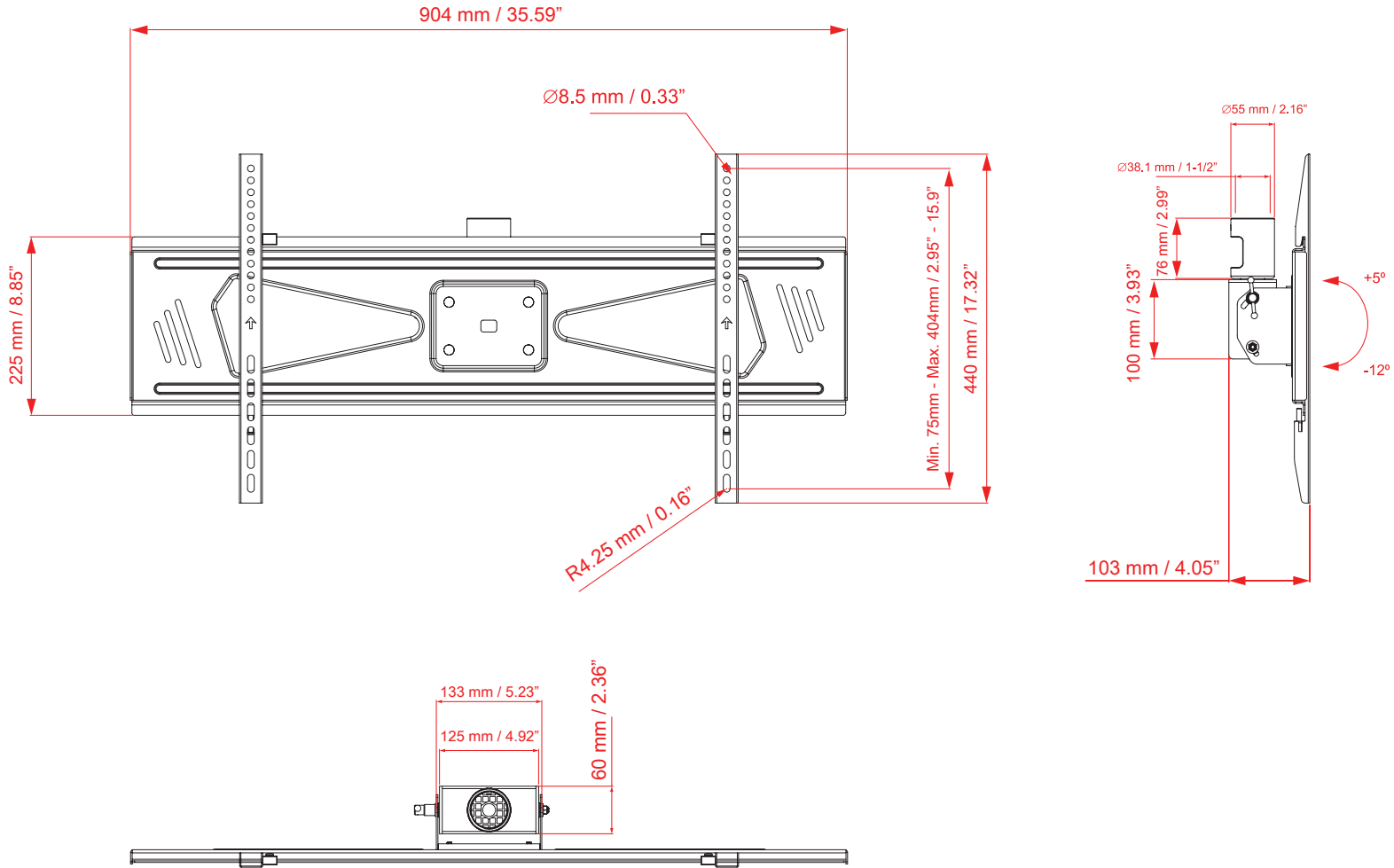
DIMENSIONS



Contact ViewZ

- Address : 177 W. Orangethorpe Ave., Placentia, CA 92870
- Phone : (714) 996-1177, Fax : (714) 996-1138
- Sales : sales@viewzusa.com
- Specification subject to change without notice.

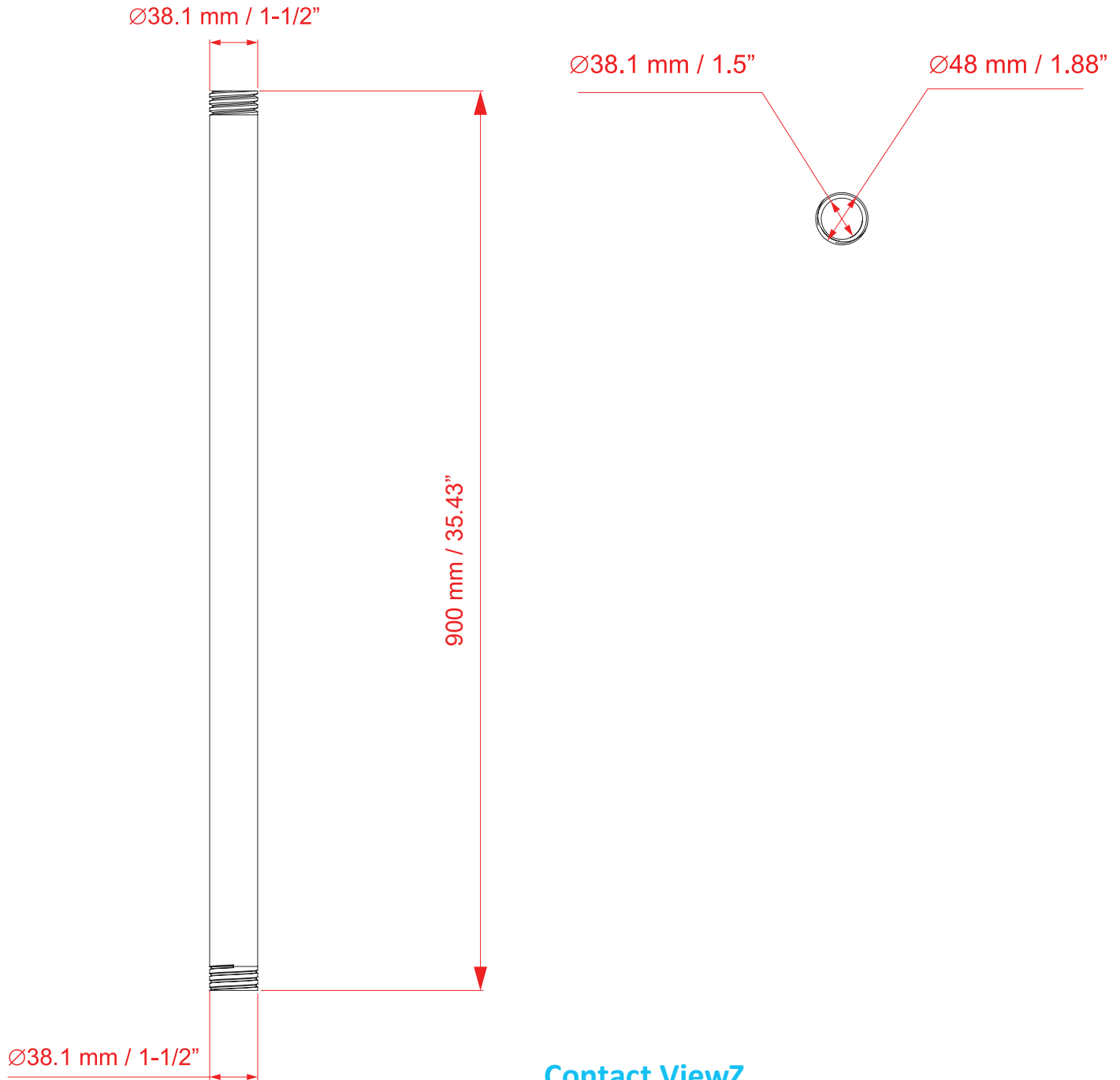
DIMENSIONS



Contact ViewZ

- Address : 177 W. Orangethorpe Ave., Placentia, CA 92870
- Phone : (714) 996-1177, Fax : (714) 996-1138
- Sales : sales@viewzusa.com
- Specification subject to change without notice.

DIMENSIONS



Contact ViewZ

- Address : 177 W. Orangethorpe Ave., Placentia, CA 92870
- Phone : (714) 996-1177, Fax : (714) 996-1138
- Sales : sales@viewzusa.com
- Specification subject to change without notice.