

## GV-CS1320 2MP H.264 Camera Access Controller with a built-in Reader



### Introduction

GV-CS1320 is an access controller with a built-in 2 MP camera and 13.56 MHz reader. GV-CS1320 recognizes identification cards and grants access to up to 100,000 users accordingly. Its camera captures the live view of entrance and transmits it to the access control system GV-ASManager over a network, without the need of installing and maintaining a separate camera in addition to the camera access controller.

**VoIP Calls:** When its touchpad is activated, GV-CS1320 will place a call to the operator through VoIP. The operator can then communicate with the visitor and enter an access code to open the door.

**Card Swiping plus Face Detection:** The Card and Face mode enables GV-CS1320 to perform face detection together with card verification before access can be granted.



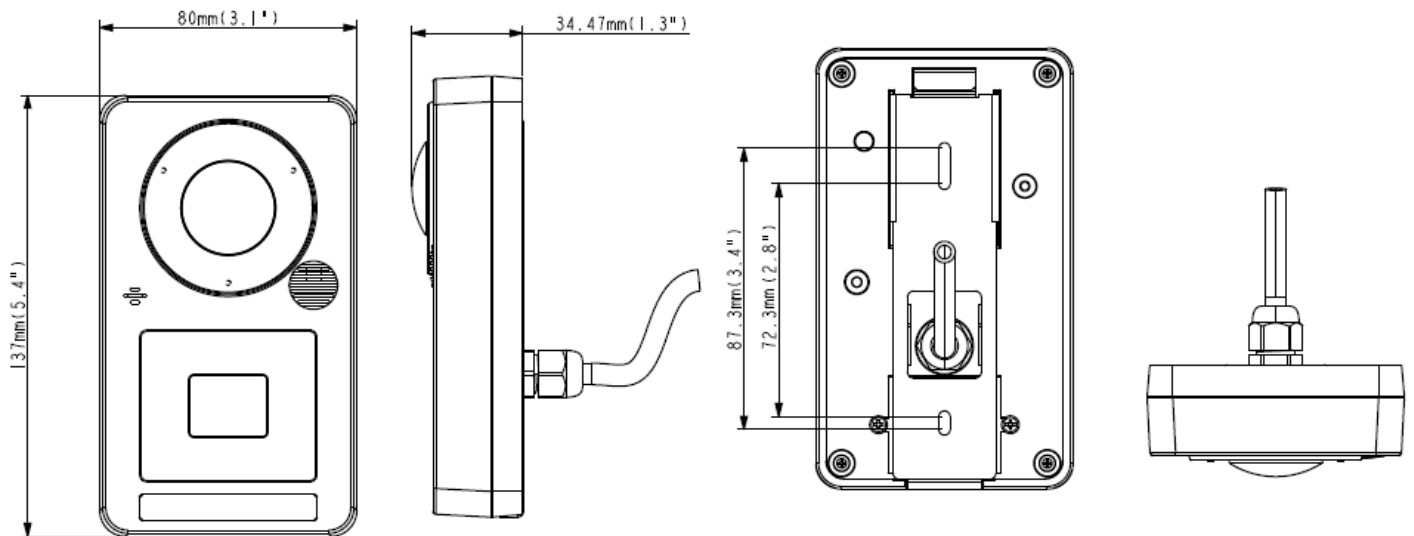
**No Face, No Access**

Three types of notifications are available for the operator to communicate with visitors at the door installed with GV-CS1320 and grant access: SIP/VoIP Calling, GV-ASNotify PC program and GV-Access mobile app.

### Manage Visitors



### Dimensions



## Key Features

### Camera

- 2 MP progressive scan super low lux CMOS
- Minimum illumination at 0.02 lux
- Dual streams from H.264 and MJPEG
- Up to 15 fps at 1920 x 1080
- Day and night function (with removable IR-cut filter)
- Built-in IR with effective distance up to 3 m (10 ft)
- Ingress protection (IP66)
- 12V DC, 2.5A / PoE+ (IEEE 802.3at)
- Built-in microphone and speaker
- Wide Dynamic Range (WDR)
- Built-in micro SD card slot
- Provides 180° panorama view
- ONVIF (Profile S) conformant

### Reader

- Built-in 13.56 MHz reader (Mifare DESFire, MIFARE Plus and MIFARE Classic)
- Support for GV-Proximity Cards with GID (GeoVision Identifier) to enhance security
- Access by card plus face detection
- Up to 2 readers of RS-485, OSDP and network communication

### Access Control

- 1 door (one-way or two-way control)
- 2 inputs, dry contact (Door Sensor / Exit Button)
- 1 relay outputs (Electric Lock)
- Support for GV-I/O Box 4 Ports for door / fire / temper sensor, door button and doorbell applications
- Touchpad to activate two-way communication between the operator and visitors
- Snapshots captured upon card presented and touchpad activated
- SIP / VoIP calling support
- Anti-passback (APB) support
- Different access control modes enabled according to the Authentication Schedule: Card only mode (default), Card and Face Mode
- GV-Access app for push notifications

## Specifications

Camera		
Image Sensor		1/2.8" progressive scan super low lux CMOS
Picture Elements		1920 (H) x 1080 (V)
Minimum Illumination	B/W	0.02 Lux
Shutter Speed		Automatic, Manual (1/5 ~ 1/8000 sec)
White Balance		Automatic, Manual (2800K ~ 8500K)
S/N Ratio		52 db
Lens		
Megapixel		Yes
Day / Night function		Yes (with removable IR-cut filter)
Lens Type		Fixed
Focal Length		1.7 mm
Maximum Aperture		F/2.5
Mount		M12

Image Format	1/2.8"	
Horizontal FOV	180°	
IR LED Quantity	2	
Max. IR Distance	3 m (10 ft)	
<b>Operation</b>		
Video Compression	H.264, MJPEG	
Video Streaming	Dual streams from H.264 and MJPEG	
Video Resolution	Stream 1	1920 x 1080 (16:9)
	Stream 2	640 x 360 (16:9)
Frame Rate	15 fps at 1920 x 1080 * The frame rate and the performance may vary depending on the number of connections and data bitrates (different scenes).	
Image Setting	Brightness, Contrast, Saturation, Sharpness, Gamma, White Balance, Image Orientation, Shutter Speed	
Audio Compression	G.711	
<b>Network</b>		
Interface	10/100 Ethernet	
Protocol	DHCP, DynDNS, FTP, HTTP, HTTPS, NTP, ONVIF (Profile S), PSIA, QoS (DSCP), RTSP, SIP, SMTP, SNMP, TCP, UDP, UPnP, 3GPP/ISMA	
<b>Mechanical</b>		
Local Storage	Micro SD card	
Connectors	Power	2-pin terminal block
	Ethernet	Ethernet (10/100 Base-T), RJ-45 Connector
	Audio	Built-in microphone and speaker
	RS-485	RS-485 +, RS-485 -
<b>General</b>		
Operating Temperature	-10 ~ 50 °C (14 ~ 122 °F)	
Humidity	10 ~ 90% (no condensation)	
Power Source	12V DC, 2.5A / PoE+ (IEEE 802.3at)	
Maximum Power Consumption	25.5 W	
Regulatory	CE, FCC, RCM, RoHS compliant	
Dimensions	137 x 80 x 34.5 mm (5.4 x 3.15 x 1.36 in)	
Weight	315 g (0.69 lb)	
Ingress Protection	IP66	
<b>Web Interface</b>		
Installation Management	Web-based configuration	
Maintenance	Firmware upgrade through Web Browser or Utility	
Access from Web Browser	Camera live view, change video quality, bandwidth control, image snapshot, audio, picture in picture, picture and picture	
Language	English / French / Portuguese / Russian / Spanish / Traditional Chinese	
<b>Applications</b>		
Network Storage	GV-DVR / NVR / VMS	
Mobile Phone support	embedded 3GPP/ISMA browser	
Live Viewing	Browser (IE, Edge, Chrome, Firefox)	
Access Control / LPR Management	GV-ASManager	
<b>Controller</b>		
Number of User Cards	100,000 cards (networked mode)	
Frequency	13.56 MHz for ISO14443A (Mifare DESFire, Mifare Plus and Mifare Classic)	
Event Buffer	50,000 events and log data	
RS-485 Interface	1 RS-485 interface for max. 2 RS-485 / OSDP readers	
TCP/IP Interface	1 TCP/IP interface for max. 2 readers: GV-CR420, GV-GF1921 / 1922, GV-FR2020, GV-FWC (for connecting GV-FD8700-FR and GV-VD8700)	

Communication Protocol	TCP/IP
Digital I/O	2 inputs, dry contact NO/NC
	1 relay outputs (30V DC, 0.5A)
Supported ID Formats	Built-in GID and UID reader

**Note:**

1. To support face detection function, avoid placing the camera reader where the light source is directly behind the subject.
2. GV-CS1320 supports either RS-485 or OSDP communication, but not both at the same time.
3. RS-485 and network communications only support GeoVision readers, while OSDP is compatible with third-party readers.
4. All specifications are subject to change without notice.

## Packing List

- GV-CS1320
- Mounting Plate
- Standard Screw x 2
- Plastic Screw Anchor x 2
- Security Screw
- Torx Wrench
- Silica Gel Bag
- Micro SD Card 2 GB (formatted and installed)
- Software DVD
- Warranty Card

## Options

Optional devices can expand the capabilities and versatilities of your GV-AS Controllers. Consult your sales representative for more information.

GV-AS ID Card / Key Fob & GV-UHF Tag	125 KHz and 13.56 MHz cards / key fobs, 900 MHz UHF Tag are available.
GV-CR1320	GV-CR1320 is a 13.56 MHz card reader with a built-in 2 MP camera which saves the costs of maintaining a sperate camera for access control.
GV-DFR1352	GV-DFR1352 is a 13.56 MHz card reader. The reader has both Wiegand and RS-485 outputs that can be connected to any standard access control panel.
GV-FR2020	GV-FR2020 is a 13.56 MHz face recognition reader. The reader supports two operation modes for access control: Face Recognition and Card.
GV-FWC	GV-FWC can integrate GV-Face Recognition Cameras and GV-AI FR into access control systems by sending access card data, paired to Face IDs, to controllers either through TCP/IP or Wiegand connection.
GV-GF Fingerprint Readers	GV-GF1921 / 1922 fingerprint reader supports three operation modes for access control: Fingerprint Only, Fingerprint + Card and Card Only. Readers with optical and capacitance sensors are available.
GV-IB25 / 65 / 85 Infrared Button	GV-IB25 / 65 / 85 Infrared Button detects infrared movement within 3 to 12 cm and allows you to open the door with a wave of hand.
GV-IO Box 4 Ports	GV-IO Box 4 Ports provides 4 inputs and 4 relay outputs. It supports both DC and AC output voltages, and provides a USB port for PC connection.
GV-RK1352	GV-RK1352 is a 13.56 MHz card reader with keypad. The reader has both Wiegand and RS-485 outputs that can be connected to any standard access control panel.
GV-RKD1352	GV-RKD1352 is a 13.56 MHz card reader with keypad. The reader has both Wiegand and RS-485 outputs that can be connected to any standard access control panel. It also supports OSDP communication and DESFire EV2 card.
GV-R1352	GV-R1352 is a 13.56 MHz card reader. The reader has both Wiegand and RS-485 outputs that can be connected to any standard access control panel.
GV-WTR	GV-WTR is a converter designed for converting Wiegand interface to RS-485 interface, and vice versa. It enables 3rd party readers to be connected to RS-485 GV-Controllers, as well as allowing GV-AI FR (software) and GV-CR1320 (RS-485 camera reader) to be connected to 3rd-party Wiegand controllers.
Electric Lock	Three types of electric locks are available: electromagnetic lock, electric bolt and electric strike.
Power Adapter	Contact our sales representatives for the countries and areas supported.
Push Button Switch	The push button switch can be integrated with access control system, allowing door exit by momentarily activating or deactivating the electric locking device. Both American standard and European standard push buttons are available.