

EQUIP® SERIES

HCL2GV/HCW2GV

2MP Network TDN Low-Light WDR Box Cameras



ONVIF® | S G Q T⁽¹⁾

OPERATIONAL		
VIDEO STANDARD	NTSC/PAL	
SCANNING SYSTEM	Progressive scan	
IMAGE SENSOR	1/2.8" 2 Megapixel progressive scan CMOS	
NUMBER OF PIXELS (H × V)	2MP - 1920x1080	
MINIMUM ILLUMINATION	Color: 0.001Lux @f/1.6, B/W: 0.001Lux @f/1.6	
S/N RATIO	50 db minimum	
ELECTRONIC SHUTTER SPEED	Auto/Manual, 1/3-1/10000s	
DAY/NIGHT	Mechanical ICR (ON / OFF / AUTO selectable)	
BACKLIGHT COMPENSATION	BLC / HLC / WDR / SSA	
DYNAMIC RANGE WIDTH	140dB	
WHITE BALANCE	Auto/Natural/Street Lamp/Outdoor/Manual/Customize Region	
GAIN CONTROL	Auto/Manual	
NOISE REDUCTION	3D Noise Reduction (ON / OFF selectable)	
PRIVACY MASKING	Up to 4 configurable areas	
ELECTRONIC IMAGE STABILIZATION	Not supported	
DEFOG	Auto/Manual/Off	
LENS	Option, support DC-Iris	
AUDIO/TWO-WAY	Line In/Out, 1 built-in Mic	
ALARM INPUT/OUTPUT	2 in / 1 out	
ANALOG OUTPUT SUPPORT	Supported	
ETHERNET	RJ-45 (10/100Base-T)	
IP SPECIFICATIONS		
VIDEO COMPRESSION	H.265, H.264 and MJPEG bit rate control (CBR and VBR)	
RESOLUTION	16:9	1080p (1920×1080)/ 720p (1280×720)
	4:3	1.3M (1280×960)/VGA (640×480)
	OTHER	D1 (704×576/704×480)/ CIF (352×288/352×240)
FRAME RATE	MAIN STREAM	1080P (1-50/60fps)
	SUB STREAM	D1 (1-50/60fps)
	THIRD STREAM	1080P (1-25/30fps)
		HCW2GV: Simultaneous Main stream and Third stream at 1080P ((Main stream +Third stream <=68fps)) HCL2GV: Simultaneous Main stream and Third stream at 1080P (Main stream at 50/60fps, Third stream at 50/60fps)
AUDIO COMPRESSION	G.711a/ G.711Mu/ AAC/G.726	
AUDIO STREAM	Full duplex, simplex	
SUPPORTED WEB BROWSERS	IE11/Chrome/Firefox	
SUPPORTED OS	Windows® 7 32-bit/64-bit	
SUPPORTED PROTOCOLS ⁽²⁾	HCW2GV: HTTP; HTTPS; TCP; ARP; RTSP; RTP; UDP; SMTP; FTP; DHCP; DNS; DDNS; PPPOE; IPv4/v6; QoS;UPnP;NTP; Bonjour; 802.1x; Multicast; ICMP;SNMP HCL2GV: HTTP; HTTPS; TCP; ARP; RTSP; RTP; UDP; SMTP; FTP; DHCP; DNS; DDNS; PPPOE; IPv4/v6; QoS;UPnP;NTP; Bonjour; 802.1x; Multicast; ICMP;SNMP	



IP SPECIFICATIONS (CONT.)	
COMPATIBILITY ⁽¹⁾	HCW2GV: Onvif Profiles S / G / Q / T HCL2GV: Onvif Profiles S / G / Q
MAXIMUM USERS ACCESS	20 users
SECURITY	User account and password protection HTTPS, IP Filter, IEEE 802.1x, Digest authentication, User access log, TLS1.2, AES-256, SSH/Telnet closed, FTP disabled, PCI-DSS compliance, Hardware chipset for private key
ONBOARD VIDEO ANALYTICS EVENT	HCW2GV: Motion Detection/Video Tampering/Face Detection/SD Card Error/SD Card Capacity Warning/Audio Detection/Tripwire/Intrusion/Object Abandoned/Object Missing HCL2GV: Motion Detection/Video Tampering/Face Detection/SD Card Error/SD Card Capacity Warning/Audio Detection/Object Abandoned/Object Missing/People counting
EVENT NOTIFICATION	Record (SD card and FTP), Relay output, Email, Snapshot
INTELLIGENT ANALYTICS	HCW2GV: NA HCL2GV: Intrusion, Loiter, Tripwire
MICRO SD	Micro SDHC Capacity Max 32GB Micro SDXC Capacity Max 128GB
MICRO SD FUNCTION	<ul style="list-style-type: none"> Event trigger recording Continuous and scheduled recording Automatic recording when network fails
LANGUAGES SUPPORTED	English, Arabic, Czech, Dutch, French, German, Italian, Japanese, Korean, Polish, Portuguese, Russian, Simplified Chinese, Spanish, Turkish
ELECTRICAL	
POWER SUPPLY	PoE/12VDC/24VAC
LONG DISTANCE POE SUPPORT	3X POE (300m)
AC FREQUENCY	50/60 Hz
POWER CONSUMPTION	HCW2GV: Max 10W HCL2GV: Max 9.5W
AUXILIARY POWER SUPPLY	2.0W, DC.12V (+/-5%)
MECHANICAL	
DIMENSIONS	125.0×75.8×69.0 mm (4.92×2.98×2.72 in.) HCW2GV: Product weight: 535g (1.18lb); Package Weight: 756g (1.67lb) HCL2GV: Product weight: 534g (1.18lb); Package Weight: 755g (1.66lb)
WEIGHT	
CONSTRUCTION	Die-cast aluminum housing with powder coat
CONSTRUCTION COLOUR	RAL 9003 (White) and RAL 7022 (Grey)
ENVIRONMENTAL	
OPERATING TEMPERATURE	-30°C to 60°C (-22°F to 140°F)
RELATIVE HUMIDITY	0% to 95%, non-condensing
REGULATORY	
EMISSIONS	FCC Part 15, CE (EN 55022); Complies with RCM (AS/NZS)
IMMUNITY	CE (EN 50130-4)
SAFETY	North America UL Listed to UL/CSA 60950-1, CE (EN 60950-1)
ROHS	EN50581

(1) Profile T only on HCW2GV model

(2) Some development may be required in specific user cases to support some of these protocols in the field as they mature over time.

EQUIP 2MP IP TDN LOW-LIGHT WDR BOX CAMERAS

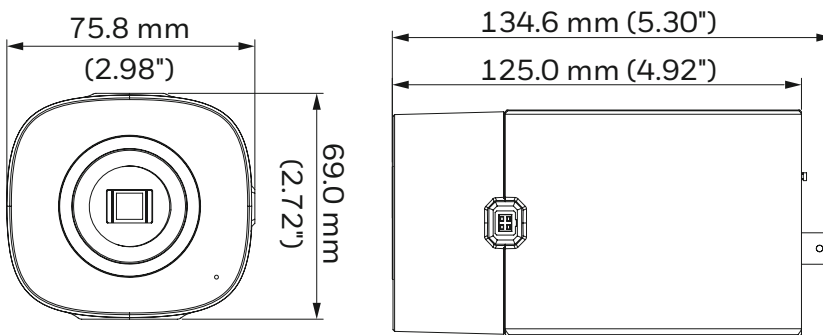
RECOMMENDED ACCESSORIES

SYSTEM INTEGRATION		HOUSING AND MOUNTS	
<p>ONVIF support and open API software integration. Refer to www.onvif.org for the ONVIF specification and the Honeywell Open Technology Alliance website (http://www.security.honeywell.com/hota/) to learn more about our open and integrated solutions.</p>		<p>HLM37V16MPD</p>	 <p>12 Megapixel 4K, 3.7 – 16 mm Lens</p>
<p>HONEYWELL DEVICE INTEGRATION</p>		<p>HLM27V12MPD</p>	 <p>4 MP, 1/2.7", F1.6, 2.7 – 12.0 mm CS Lens</p>
<p>MAXPRO® / PRO-WATCH® NVRS</p>	<p>Entry to Enterprise Level Network Video Recorders (version 4.50 and greater)</p>	<p>HBC5WT-2</p>	 <p>Box Camera Wall Mount</p>
<p>MAXPRO® / PRO-WATCH® VMS FAMILY</p>	<p>Entry to Enterprise Level Network Video VMS (version R450 and greater)</p>		

ORDERING

HCL2GV	Network TDN Low Light WDR Box Camera, 1/2.8" 2 Megapixel progressive scan CMOS, PoE, H.265.
HCW2GV	Network TDN WDR Box Camera, 1/2.8" 2 Megapixel progressive scan CMOS, PoE, H.265.

DIMENSIONS



Find out more

www.security.honeywell.com

Honeywell Commercial Security

715 Peachtree St. NE

Atlanta, GA 30308

1.800.323.4576

www.honeywell.com

ONVIF and the ONVIF logo are trademarks of ONVIF Inc. Honeywell reserves the right, without notification, to make changes in product design or specifications.

HSV-HCx2GV-02-US(1020)DS-Z
© 2020 Honeywell International Inc.

Honeywell