

NANO Cube AT-3B

Compact Infrared



Ultra Compact Indoor Infrared

The Nano Cube AT-3B measures only 1.5" x 1.5" x 1.5" and weighs only 3 ounces. It is ideal for use in indoor environments.

Simple Installation

The Nano Cube can be easily installed and mounted. It can be powered by a standard 12V power adapter (sold separately) and includes a mounting bracket.

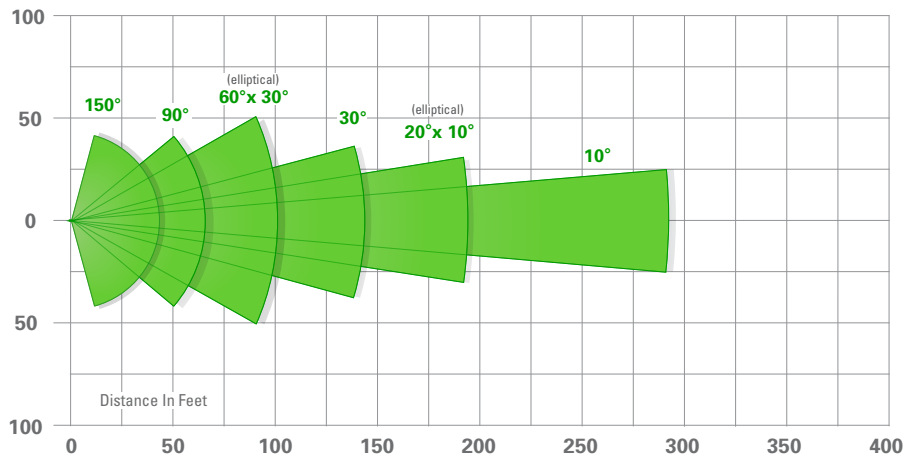
Lifetime Warranty - Made in the USA

AXTON Lights are covered by a lifetime warranty and are designed and manufactured in the USA.

Features

- Ultra Compact Lightweight Design
- Indoor IP64 Rated
- Simple Installation
- Rugged & Vandal Resistant
- Mounting Bracket Included
- Designed and Manufactured in the USA
- Lifetime Warranty

Illumination Range



Angle: **150°**
Range: 44ft / 13m
HFOV : 80ft / 24m

Angle: **90°**
Range: 62ft / 18m
HFOV : 80ft / 24m

Angle: **60°x 30°**
Range: 100ft / 30m
HFOV : 100ft / 30m

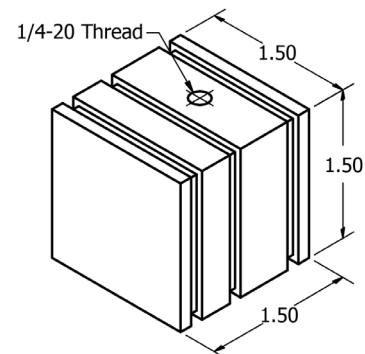
Angle: **30°**
Range: 140ft / 42m
HFOV : 72ft / 22m

Angle: **20°x 10°**
Range: 190ft / 57m
HFOV : 60ft / 18m

Angle: **10°**
Range: 280ft / 85m
HFOV : 50ft / 15m

Specifications

Wavelength	850nm Infrared
Input Voltage	(9 - 18)V DC
Power Consumption	3 Watts
Angle/Coverage Options	150°, 90°, 60°x30°, 30°, 20°x10° or 10°
Operating Temperature	-58° to 140°F / -50° to 60°C
Dimensions	1.5" x 1.5" x 1.5" / 38 x 38 x 38 mm
Weight	3 oz / 85g
Environmental	Indoor Only - IP64 Rating
Mounting	Bracket Included



801 West Robinson Drive, Suite 500, North Salt Lake, UT 84054
 ☎ 801/519-0500 📠 801/519-0501 ✉ sales@axtontech.com 🌐 axtontech.com

