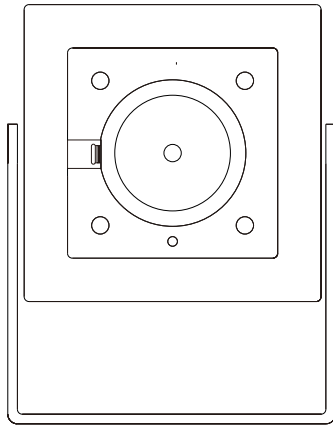


MANUAL Of PROFESSIONAL MINI CAMERA SERIES



READ THIS MANUAL CAREFULLY BEFORE INSTALLING AND OPERATING THIS PRODUCT

CAUTIONS:

1. Please don't touch the sensor and lens with your hand.
2. Please don't install the camera in following unstable conditions: shake, rain, too hot, too cold etc.
3. The recommended conditions of the installation are the temperature from -10 to 50°C and the moisture under maximum 85%.
4. Please kindly contact your sales person in case you have any question on assembly or installation.

Features & Attachment:

1. Features:

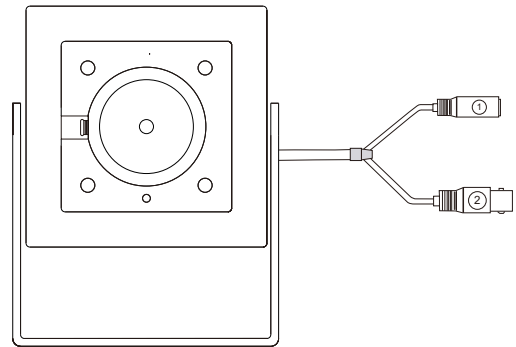
- * 1000TVL High Resolution
- * 1/3" Mega Pixel Sensor
- * 2 Mega Pixel Pin-hole Lens
- * Wide Dynamic Range: 120dB
- * Auto WDR Function: Self-adjust to Working Environment

2. Attachment:

- * One User Manual.
- * Tools & Installation Screws

Assembly & Installation

1. Firstly, find a suitable position to install the camera, install the bottom bracket (Case) on the ceiling with the screws.
2. Fixed the camera on the bottom bracket.
3. Input the power to the power connector ① indicated in the drawing, Confirm the input voltage by the camera label
4. Connect the video output connector ② indicated in the drawing to the monitor or other video equipment.
5. Adjust the camera level until you can get a good image of the target by adjusting the camera 3 axis bracket.



1) POWER INPUT

2) BNC FOR VIDEO OUTPUT

SPECIFICATIONS

Solution	1/3" Mega Pixel Sensor
Signal System	PAL/NTSC
Sync. System	Internal Sync.
Effective Pixels	PAL/NTSC:1280(H)X960(V)
Sensing Area	4.8mmX3.6mm
Horizontal Resolution	1000TVL
WDR	Auto WDR Fountion 120dB
Video Output	1.0Vp~p75Ω
S/N Ratio	More than 50dB (AGC OFF)
White Balance	Auto Tracking White Balance
Shutter Speed	1/50(1/60)~1/100,000sec
Built-in Lens	3.7mm 2 Mega Pixel Pin-hole Lens
Working Temperature	-10°C~50°C
Storage Temperature	-20°C~60°C
Power Requirement	DC 12V Max Power Consumption Less Than 3W

The content of this manual is subject to change without notice.