

SBP-301HM5

Hanging Mount



Key Features

- Weight : 197g
- Material : Aluminum
- Operation temp. : -50°C~60°C
- Operation hum. : 0~100%
- Mount screw size : PF 1 1/2"

Accessories (Optional)



SBP-300WM1



SBP-300WM

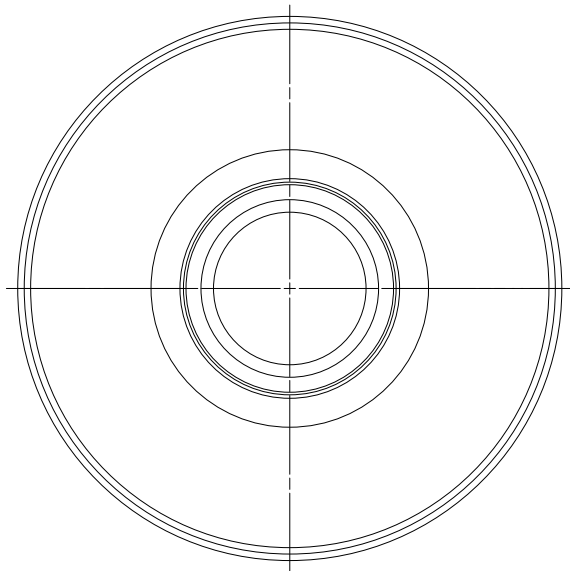
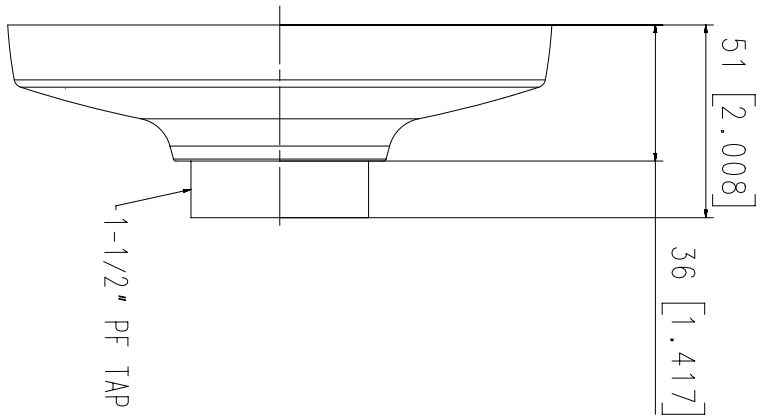
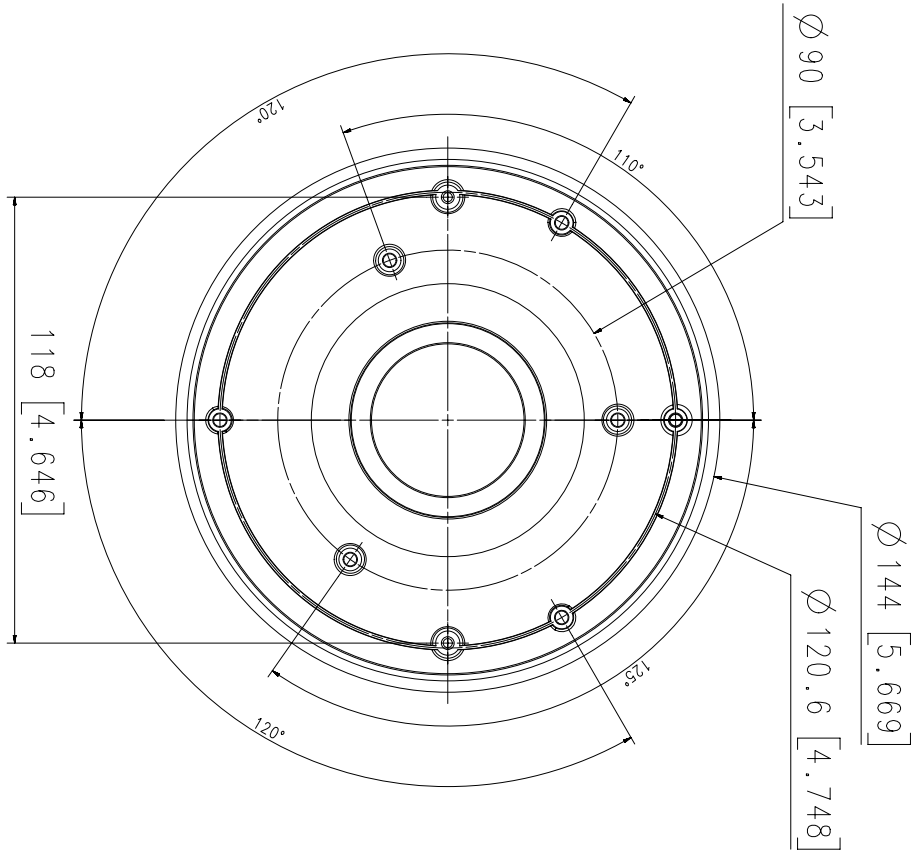


SBP-300CM



SBP-300LM

- The latest product information / specification can be found at hanwha-security.com
- Design and specifications are subject to change without notice.
- Wisenet is the proprietary brand of Hanwha Techwin, formerly known as Samsung Techwin.



UNIT : mm [inch]