



# Fixed Network Camera IP8172/72P



5MP • Full HD • Focus Assist

VIVOTEK IP8172/72P are professional box cameras offering 5-Megapixel or 1080p Full HD resolution with superb image quality up to 30 fps. Featuring 5-Megapixel resolution and high-performance H.264/MPEG-4/MJPEG compression technology, the IP8172/72P offer extra-smooth video and wide coverage.

The IP8172P comes with a P-iris lens, which controls the iris with extreme precision with its built-in stepper motor, it maintains the iris opening at an optimal level at all times, resulting in superior image clarity and depth of field.

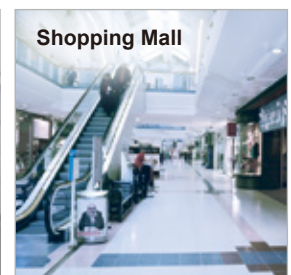
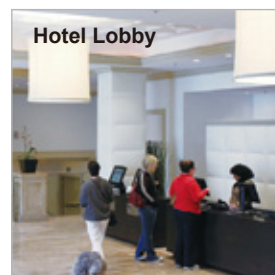
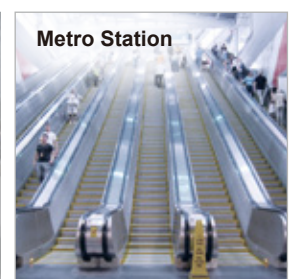
In addition, the IP8172/72P are equipped with a focus assist button to allow users to precisely adjust the camera focus. After pushing the focus assist button on the camera unit, an indicator will be displayed onscreen with detailed focus information, which will change in accordance with the manual adjustment. Moreover, continuing to push the button will zoom in on the target area for fine tuning, resulting in better usability and picture clarity.

The IP8172/72P can be also connected directly to an analog monitor with a BNC connector, providing integrators with more flexibility and hassle-free installation for a variety of applications.

Other high-end features such as WDR enhancement, multiple streams, video cropping, ePTZ, SD/SDHC/SDXC card slot, PoE, and the included 32-CH recording software make the IP8172/72P is indisputably the top choice for reliable and high performance megapixel surveillance.

## Features

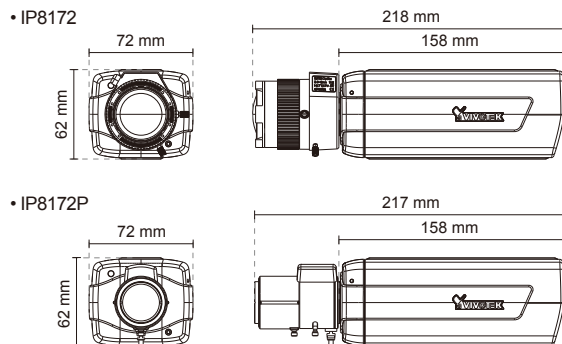
- 5-Megapixel CMOS Sensor
- 30 fps @ 1080p Full HD
- 2.8 ~ 12 mm Vari-focal, DC-iris Lens (IP8172)
- 3.5 ~ 10 mm Vari-focal, P-iris Lens (IP8172P)
- Removable IR-cut Filter for Day & Night Function
- Real-time H.264, MPEG-4, and MJPEG Compression (Triple Codec)
- WDR Enhancement for Improved Clarity in High Contrast Environments
- Built-in Focus Assist Button for Precise Focus Adjustment
- Built-in 802.3af Compliant PoE
- Built-in SD/SDHC/SDXC Card Slot for On-board Storage



## Technical Specifications

<b>Models</b>	IP8172 (DC-iris) IP8172P (P-iris)	<b>Alarm and Event</b>	
<b>System Information</b>		<b>Alarm Triggers</b>	Video motion detection, manual trigger, digital input, periodical trigger, system boot, recording notification, camera tampering detection
CPU	Multimedia SoC (System-on-Chip)	<b>Alarm Events</b>	Event notification using digital output, HTTP, SMTP, FTP and NAS server File upload via HTTP, SMTP, FTP and NAS server
Flash	128 MB	<b>General</b>	
RAM	256 MB	<b>Smart Focus System</b>	Focus assist button and OSD
<b>Camera Features</b>		<b>Connectors</b>	RJ-45 cable connector for Network/PoE connection Audio input Audio output Video output AC 24V power input DC 12V power input Digital input*1 Digital output*1 RS-485
Image Sensor	1/2.5" Progressive CMOS	<b>LED Indicator</b>	System power and status indicator
Maximum Resolution	2560x1920	<b>Power Input</b>	24V AC 12V DC IEEE 802.3af PoE Class 3
Lens Type	Vari-focal, CS Mount	<b>Power Consumption</b>	IP8172: Max. 4.87 W (DC 12V) Max. 7 W (AC 24V) Max. 6.8 W (PoE) IP8172P: Max. 5.2 W (DC 12V) Max. 7 W (AC 24V) Max. 6.9 W (PoE)
Focal Length	f = 2.8 ~ 12 mm (IP8172) f = 3.5 ~ 10 mm (IP8172P)	<b>Dimensions</b>	218 mm (D) x 72 mm (W) x 62 mm (H) (IP8172) 217 mm (D) x 72 mm (W) x 62 mm (H) (IP8172P)
Aperture	F1.2 (wide) ~ F2.5 (tele) (IP8172) F1.6 (wide) ~ F2.7 (tele) (IP8172P)	<b>Weight</b>	Net: 702 g (IP8172) (With Lens) Net: 711 g (IP8172P) (With Lens)
Auto-iris	DC-iris (IP8172) P-iris (IP8172P)	<b>Safety Certifications</b>	CE, LVD, FCC Class A, VCCI, C-Tick
Field of View	IP8172: 28° ~ 115° (horizontal) 21° ~ 84° (vertical) 35° ~ 150° (diagonal) IP8172P: 33° ~ 93° (horizontal) 24° ~ 68° (vertical) 40° ~ 119° (diagonal)	<b>Operating Temperature</b>	Starting Temperature: 0°C ~ 50°C (32°F ~ 122°F) Working Temperature: -10°C ~ 50°C (14°F ~ 122°F) 24 months
Shutter Time	1/5 sec. to 1/32,000 sec.	<b>Warranty</b>	24 months
WDR Technology	WDR Enhanced	<b>System Requirements</b>	
Day/Night	Removable IR-cut filter for day & night function	<b>Operating System</b>	Microsoft Windows 7/Vista/XP/2000
Minimum Illumination	IP8172: 0.02 Lux @ F1.2 (Color) 0.001 Lux @ F1.2 (B/W) IP8172P: 0.05 Lux @ F1.6 (Color) 0.001 Lux @ F1.6 (B/W)	<b>Web Browser</b>	Mozilla Firefox 7~10 (Streaming only) Internet Explorer 7.x or 8.x
Pan/tilt/zoom Functionalities	ePTZ: 48x digital zoom (4x on IE plug-in, 12x built-in)	<b>Other Players</b>	VLC: 1.1.11 or above Quicktime: 7 or above
On-board Storage	SD/SDHC/SDXC card slot	<b>Included Accessories</b>	
<b>Video</b>		<b>CD</b>	User's manual, quick installation guide, Installation Wizard 2, ST7501 32-channel recording software
Compression	H.264, MJPEG & MPEG-4	<b>Others</b>	CS-mount lens, quick installation guide, warranty card, stand, L-type hex key wrench
Maximum Frame Rate	H.264: 10 fps at 2560x1920 30 fps at 1920x1080 MPEG-4: 10 fps at 1920x1536 25 fps at 1920x1080 MJPEG: 13 fps at 2560x1920 30 fps at 1920x1080		
Maximum Streams	3 simultaneous streams		
S/N Ratio	Above 60 dB		
Dynamic Range	57 dB		
Video Streaming	Adjustable resolution, quality and bitrate Configurable video cropping for bandwidth saving Adjustable image size, quality and bit rate		
Image Settings	Time stamp, text overlay, flip & mirror Configurable brightness, contrast, saturation, sharpness, white balance, exposure control, gain, backlight compensation, privacy masks Scheduled profile settings		
<b>Audio</b>			
Audio Capability	Audio input/output (full duplex)		
Compression	GSM-AMR, AAC, G.711		
Interface	Built-in microphone External microphone input External line output		
Effective Range	5 meters		
<b>Network</b>			
Users	Live viewing for up to 10 clients		
Protocols	IPv4, IPv6, TCP/IP, HTTP, HTTPS, UPnP, RTSP/RTP/RTCP, IGMP, SMTP, FTP, DHCP, NTP, DNS, DDNS, PPPoE, CoS, QoS, SNMP, 802.1X		
Interface	10Base-T/100 Base-TX Ethernet (RJ-45)		
ONVIF	Supported, specification available at <a href="http://www.onvif.org">www.onvif.org</a>		
<b>Intelligent Video</b>			
Video Motion Detection	Triple-window video motion detection		

## Dimensions



## Compatible Accessories

### Enclosures



**AE-211**  
Camera enclosure with blower



**AE-232**  
Camera enclosure with heater and blower



**AE-233**  
Camera enclosure with heater and blower (input AC 24V)

### Power Adapter



**AA-222**  
DC 12V Power Adapter

### PoE Kits



**MS-POE-IJAF**  
PoE injector, 802.3af compliant

All specifications are subject to change without notice. Copyright © 2013 VIVOTEK INC. All rights reserved.

Distributed by:



**VIVOTEK INC.**  
6F, No.192, Lien-Cheng Rd., Chung-Ho, New Taipei City, 235, Taiwan, R.O.C.  
|T: +886-2-82455282 | F: +886-2-82455332 | E: sales@vivotek.com

**VIVOTEK USA, INC.**  
2050 Ringwood Avenue, San Jose, CA 95131  
|T: 408-773-8886 | F: 408-773-8298 | E: salesusa@vivotek.com

Ver 1.0