

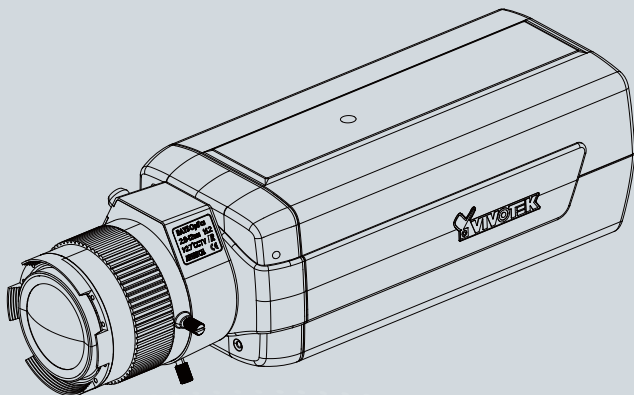


**IP8172/72P** Fixed  
Network Camera

# Quick Installation Guide

English | 繁体中文 | 简体中文 | 日本語 | Français | Español | Deutsch | Português | Italiano | Türkçe | Polski | Русский | Česky | Svenska | العربية

5MP • Full HD • Focus Assist





## Warning Before Installation

- Power off the Network Camera as soon as smoke or unusual odors are detected.
- Keep the Network Camera away from water. If the Network Camera becomes wet, power off immediately.
- Do not place the Network Camera around heat sources, such as a television or oven.
- Refer to your user's manual for the operating temperature.
- Keep the Network Camera away from direct sunlight.
- Do not place the Network Camera in high humidity environments.
- Do not place the Network Camera on unsteady surfaces.
- Do not touch the Network Camera during a lightning storm.
- Do not disassemble the Network Camera.
- Do not drop the Network Camera.
- Do not insert sharp or tiny objects into the Network Camera.



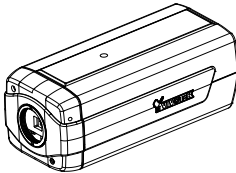
### IMPORTANT:

Do not install a P-Iris lens to the IP8172. Nor should you install a DC-Iris lens to the IP8172P. The voltages supplied to DC- and P-Iris lens modules are different.

**1**

**Package Contents**

- IP8172/72P



- CS-mount Lens



- Camera Stand



- Software CD



- Quick Installation Guide



- L-type Hex Key Wrench

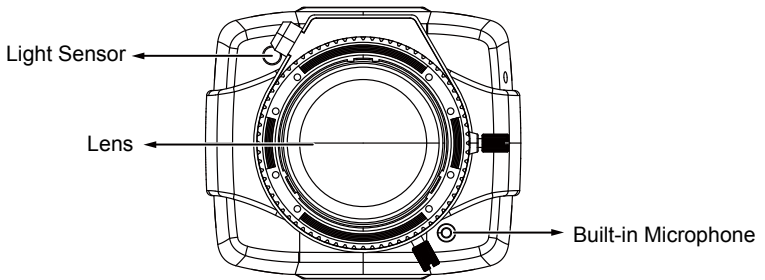


- Warranty Card

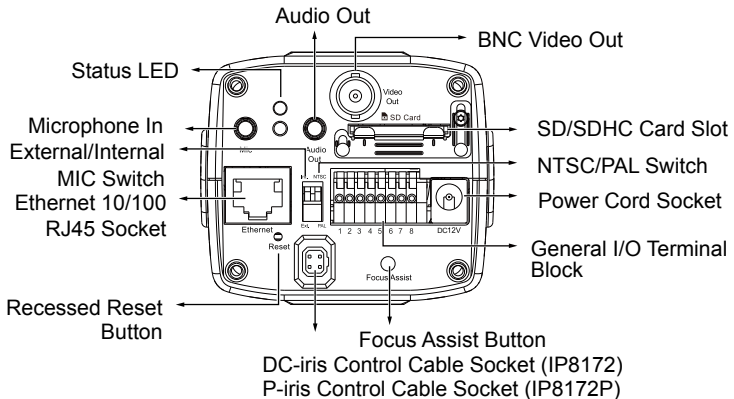


## 2 Physical Description

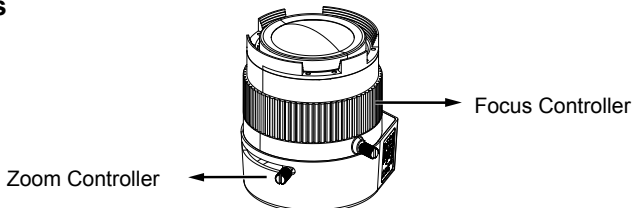
### ● Front Panel



### ● Rear Panel



### ● Lens

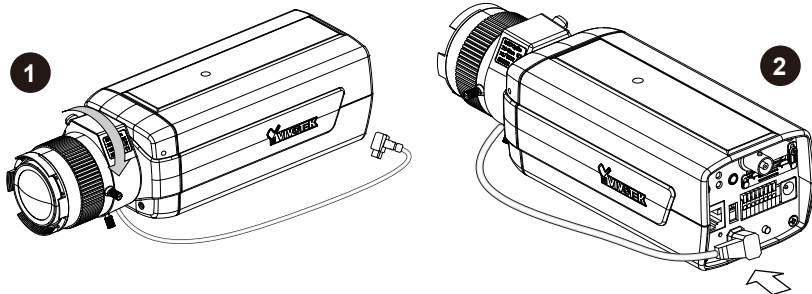


EN - 3

**3**

**Mounting the Lens to the Camera**

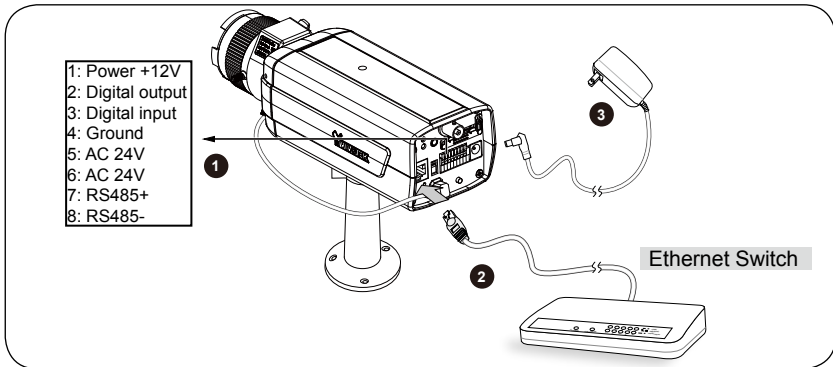
1. Mount the lens by turning it clockwise onto the camera mount until it stops. If necessary, turn the lens counterclockwise slowly **until the flat side of the lens module aligns with the top side of the camera**. If not properly aligned, the hood petal on the lens module may block the corners of image.
2. Connect the DC-iris control cable to the socket. (IP8172)  
Connect the P-iris control cable to the socket. (IP8172P)



## 4 Network Deployment

### General Connection (without PoE)

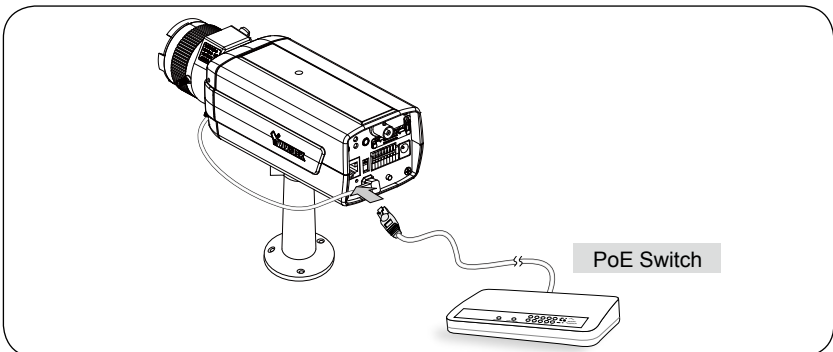
1. If you have external devices such as sensors and alarms, connect them to the general I/O terminal block.
2. Connect the camera to a switch via Ethernet cable.
3. Connect the power cable from the Network Camera to a power outlet.



### Power over Ethernet (PoE)

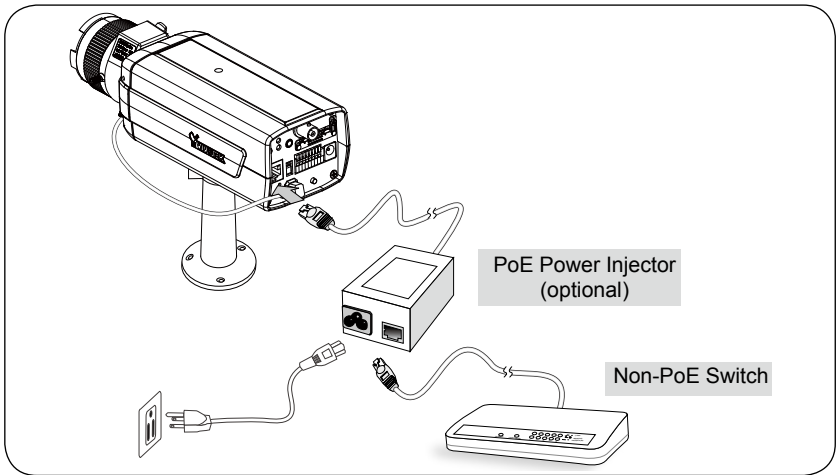
#### When using a PoE-enabled switch

The Network Camera is PoE-compliant, allowing transmission of power and data via a single Ethernet cable. Follow the below illustration to connect the Network Camera to a PoE-enabled switch via Ethernet cable.



## ● When using a non-PoE switch

Use a PoE power injector (optional) to connect between the Network Camera and a non-PoE switch.



## 5 Assigning an IP Address

1. Install "Installation Wizard 2" from the Software Utility directory on the software CD.
2. The program will conduct an analysis of your network environment. After your network is analyzed, please click on the "Next" button to continue the program.
3. The program will search for VIVOTEK Video Receivers, Video Servers, and Network Cameras on the same LAN.
4. After a brief search, the main installer window will pop up. Double-click on the MAC address that matches the one printed on the camera label or the S/N number on the package box label to open a browser management session with the Network Camera.

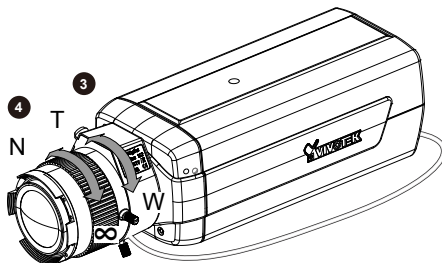
## 6 Ready to Use

1. A browser session with the Network Camera should prompt as shown below.
2. You should be able to see live video from your camera. You may also install the 32-channel recording software from the software CD in a deployment consisting of multiple cameras. For its installation details, please refer to its related documents.



For further setup, please refer to the user's manual on the software CD.

3. Unscrew the zoom controller to adjust the zoom factor. Upon completion, tighten the zoom controller.
4. Unscrew the focus controller to adjust the focus range. Upon completion, tighten the focus controller.

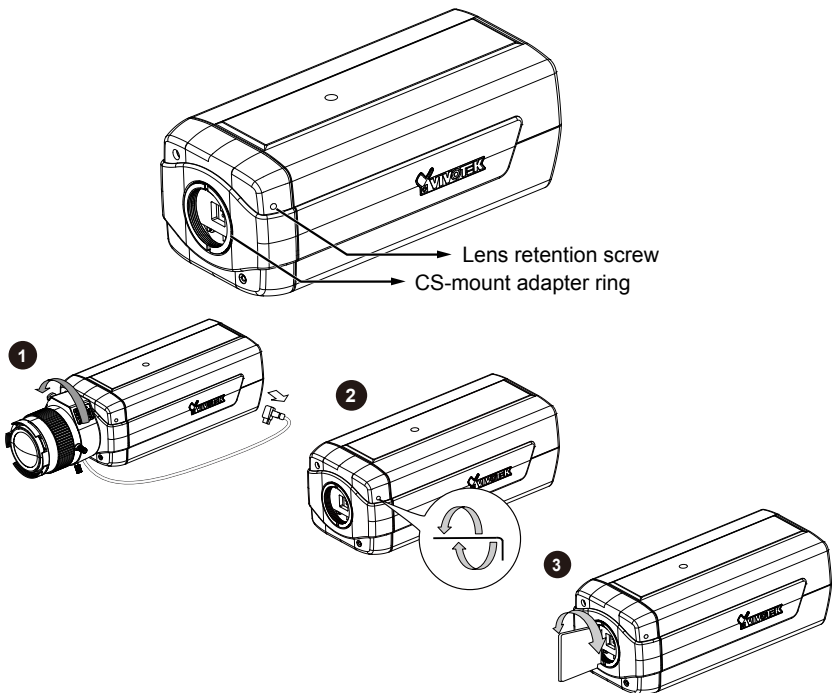


EN - 7

**7****Fine-tune the CS-Mount**

The following applies only when you have troubles getting sharp images with particular lens:

1. Detach the CS-mount lens from the camera body.
2. Use the supplied L-type hex key wrench to loosen the lens retention screw. When done, the CS-mount adapter ring becomes rotatable.
3. Use a removal tool to turn the CS-mount adapter ring; fine-tune the focal length between the sensor and the lens.
4. When finished, tighten the lens retention screw to secure the CS-mount adapter ring.
5. Attach the CS-mount lens back to the camera body.

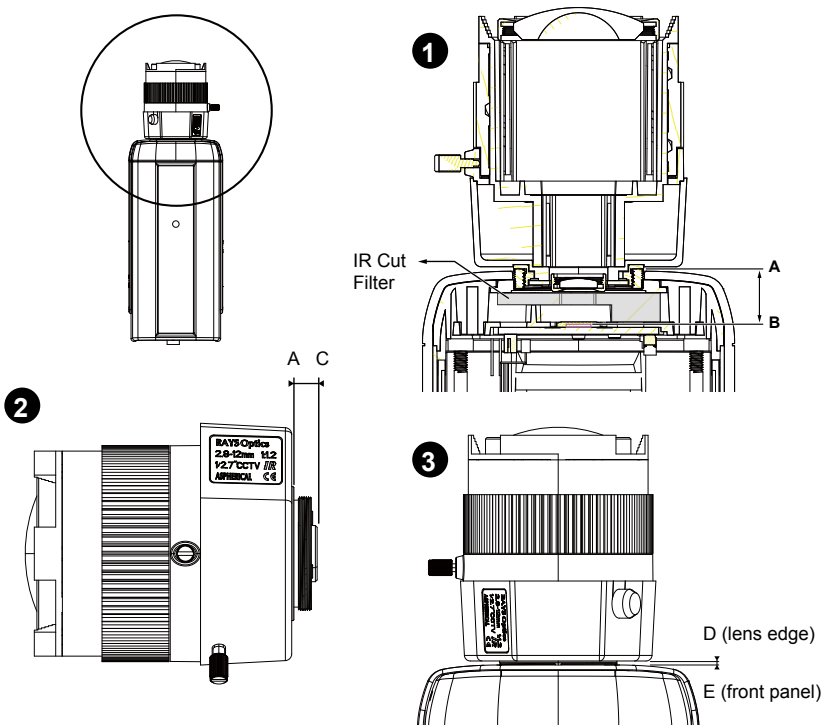
**EN - 8**



**NOTE:**

When choosing the lens for your IP8172/72P, please notice the specifications as below.

1. Flange back length [distance A-B (CMOS sensor)] must be longer than 12.5mm. If the flange back length is too short, the bottom of screw mount may hit the IR Cut Filter, or result in out of focus when adjusting the focus controller.
2. The screw mount (distance A-C) must be shorter than 5.2mm; in case that the bottom of screw mount may hit the IR Cut Filter.
3. The distance between the edge of lens (D) and front panel (E) must be longer than 0.5mm; or, it may hit the front panel when adjusting the focus controller, or result in out of focus.





## 安裝前應注意事項

- 如果發現網路攝影機出現煙霧或聞到異味時，請立即關閉電源。
- 避免讓網路攝影機接觸到水分。若網路攝影機被弄濕，請立即關閉電源。
- 請勿在熱源附近架設網路攝影機，例如電視機或微波爐周圍。
- 有關操作時的溫度，請參閱使用者說明書。
- 避免讓網路攝影機直接曝曬在陽光下。
- 請勿在潮溼環境下架設網路攝影機。
- 請勿將網路攝影機擺放在不穩定的物體上。
- 閃電時，請勿碰觸網路攝影機。
- 請勿拆卸網路攝影機。
- 請勿讓網路攝影機掉落地面。
- 請勿將任何物件插入網路攝影機，例如細針。



### 重要：

請勿將P-Iris鏡頭安裝至IP8172，或是將DC-Iris鏡頭安裝至IP8172P。提供DC-Iris和P-Iris鏡頭模組的電壓並不相同。

P/N:625018400G Rev. 1.0

All specifications are subject to change without notice.  
Copyright © 2012 VIVOTEK INC. All rights reserved.



**VIVOTEK INC.**

6F, No.192, Lien-Cheng Rd., Chung-Ho, New Taipei City, 235, Taiwan, R.O.C.  
| T: +886-2-82455282 | F: +886-2-82455532 | E: sales@vivotek.com

**VIVOTEK USA, INC.**

2050 Ringwood Avenue, San Jose, CA 95131  
| T: 408-773-8686 | F: 408-773-8298 | E: salesusa@vivotek.com

Available from A1 Security Cameras  
www.a1securitycameras.com email: sales@a1securitycameras.com