

GV-BL1210 1.3MP H.264 3x zoom Low Lux WDR IR Bullet IP Camera



- 1.3 megapixel progressive scan Low Lux CMOS
- Dual streams from H.264 and MJPEG
- Up to 30 fps at 1280 x 1024
- Intelligent IR
- Zoom lens for remote focus/zoom adjustment
- Ingress protection (IP67)
- Cable-concealed bracket preventing cable from being cut
- One alarm input and sensor output
- Memory Card Slot
- 2-way audio
- Wide Dynamic Range (WDR)
- Defog
- Motion detection
- Tampering alarm
- Privacy mask
- IP address filtering
- DC 12V / AC 24V / PoE
- Removable IR-cut filter for Day/Night function
- Supports iPhone, iPad, Android & 3GPP
- 31 languages on Web interface
- ONVIF conformant

* No Memory Card Slot & local storage function for Argentina.

Introduction

The Bullet Camera is specifically designed for outdoors. It adheres to the IP67 standard and has full protection against dust and jets of water. The camera features IR LEDs for infrared illumination for night vision applications. With the motorized focus/zoom, users can remotely adjust the focus and zoom from the Web interface.

Active Tampering Alarm

Tampered



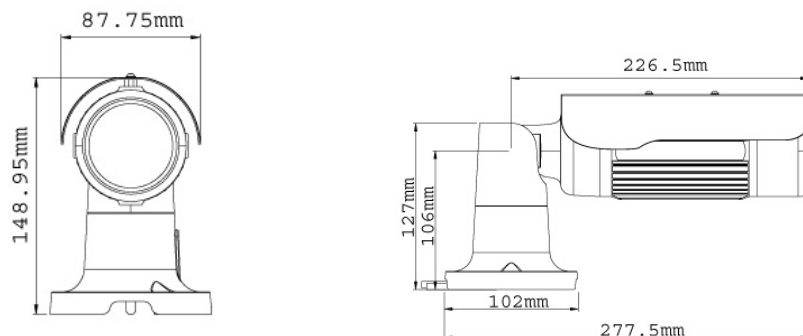
Focus Change



Camera Shift



Dimensions





Specifications

Camera		
Image Sensor		1/3" progressive scan CMOS "
Picture Elements		1280 (H) x 1024 (V)
Minimum Illumination	Color	0.05 Lux at F/1.2
	B/W	0 Lux at F/1.2
	IR ON	
Shutter Speed		Automatic, Manual (1/5 ~ 1/8000 sec)
White Balance		Automatic, Manual (2800K ~ 8500K)
Gain Control		Automatic
S/N Ratio		50 dB
BLC		Yes
Lens		
Megapixel		Yes
Focal Length		3 ~ 9 mm
Day/Night		Yes (with removable IR-cut filter)
Lens Type		Zoom lens
Maximum Aperture		F/1.2
Mount		Ø 14 mm
Image Format		1/2.7"
Operation	Focus	Auto Focus
	Zoom	3X Optical Zoom
	Iris	DC Drive
Max. Torque (Focus/ Zoom Screws)		0.049 N.m
IR LED Quantity		16 IR LEDs
IR Distance		15 m / 50 ft (Max.)
Operation		
Video Compression		H.264, MJPEG
Video Stream		Dual streams from H.264 or MJPEG
Frame Rate		30 fps at 1280 x 1024 * The frame rate and the performance may vary depending on the number of connections and data bitrates (different scenes).
Image Setting		Brightness, Contrast, Saturation, Sharpness, Gamma, White Balance, Flicker-less, Image Orientation, Shutter Speed, D/N Sensitivity, Backlight Compensation, WDR, Defog, Zoom, Focus Change
Audio Compression		G.711, AAC (24 kHz / 16 bit) *AAC (24 kHz / 16 bit) is only supported by GV-System V8.5.6 or later
Two-way Audio		Yes
Sensor Input		1 Input (Dry Contact)
Alarm Output		1 Digital Output (200mA 5V DC)
Video Resolution		
Main Stream	4 : 3	1280 x 960, 640 x 480, 320 x 240
	16 : 9	1280 x 720, 640 x 360, 448 x 252
	5 : 4	1280 x 1024, 640 x 512, 320 x 256
Sub Stream	4 : 3	640 x 480, 320 x 240
	16 : 9	640 x 360, 448 x 252
	5 : 4	640 x 512, 320 x 256
Network		
Interface		10/100 Ethernet
Protocol		HTTP, HTTPS, TCP, UDP, SMTP, FTP, DHCP, NTP, UPnP, DynDNS, 3GPP/ISMA, RTSP, PSIA, SNMP, QoS (DSCP), ONVIF
Mechanical		
Temperature Detector		Yes
Camera Angle Adjustment	Pan	0° ~ 360°
	Tilt	90° ~ 180°
	Rotate	0° ~ 360°
Connectors	Power	2-pin terminal block, PoE
	Ethernet	Ethernet (10/100 Base-T), RJ-45 Cable
	Audio	1 In (RCA female for microphone) 1 Out (RCA female for speaker)
	Auto Iris	DC Drive
	Digital I/O	I/O Wires

Connectors	Local Storage	Micro SD/SDHC/SDXC memory card slot (for Class 6 card or above)
General		
Environment Temperature	-10°C ~ 50°C / 14 °F ~ 122 °F	
Humidity	10% to 90% (no condensation)	
Power Source	12V DC / 24V AC / PoE	
Max. Power Consumption	11.52 W	
Dimensions	Camera Body	289.02 x 87.75 x 148.95 mm / 11.4 x 3.45 x 5.86 in
	Cable Length	1 m / 3.28 ft
	Maximum Cable Diameter	ø 7.1 mm / 0.28 in
	Maximum Connector Diameter	ø 25.2 mm / 0.99 in
Weight	1.4 kg / 3.08 lb	
Ingress Protection	IP67	
Regulatory	CE, FCC, C-Tick, RoHS compliant	
Power over Ethernet		
PoE Standard	IEEE 802.3af Power over Ethernet / PD	
PoE Power Supply Type	End-Span	
PoE Power Output	Per Port 48V DC, 350mA. Max. 15.4 watts	
Web Interface		
Installation Management	Web-based configuration	
Maintenance	Firmware upgrade through Web Browser or Utility	
Access from Web Browser	Camera live view, video recording, change video quality, bandwidth control, image snapshot, digital I/O control, audio, Picture in Picture, Picture and Picture, Privacy Mask, Visual Automation, Tampering Alarm, Text Overlay	
Language	Arabic / Bulgarian / Czech / Danish / Dutch / English / Finnish / French / German / Greek / Hebrew / Hungarian / Indonesian / Italian / Japanese / Lithuanian / Norwegian / Persian / Polish / Portuguese / Romanian / Russian / Serbian / Simplified Chinese / Slovakian / Slovenian / Spanish / Swedish / Thai / Traditional Chinese / Turkish	
Application		
Network Storage	GV-NVR, GV-System, GV-Backup Center, GV-Recording Server	
Smart Device Access	GV-Eye for Android smartphone, tablet, iPhone and iPod Touch GV-Eye HD for iPad	
Live Viewing	IE, mobile phone	
CMS Server support	GV-Control Center, GV-Center V2, GV-VSM	

Note: Specifications are subject to change without prior notice.

Accessories

Name	Details
 <p>GV-PA191 PoE Adapter</p>	<p>Weight: 130 g / 0.29 lb Dimensions (H x W x D): 43 x 69 x 40 mm / 1.69 x 2.72 x 1.57 in</p>
 <p>GV-Relay V2</p>	<p>The GV-Relay V2 is designed to expand the voltage load of GV IP devices. It provides 4 relay outputs, and each can be set as normally open (NO) or normally closed (NC) independently as per your requirement.</p>
Power Adapter	Power adapters are available in 4 regions: U.S.A., Australia, U.K and Europe.