

# Helios AT-11Y-S

Solar, Battery Powered IR Illuminator



## Helios Solar/Battery Powered Infrared

Helios IR Illuminators are designed for use with battery (solar battery) powered systems using 9-28V input voltage. They are ideally suited for solar, mobile or automotive applications where standard 12-24V batteries are used. Helios illuminators are rugged, and outdoor IP67 rated.

## Easy Integration and Control

Seamless and precise integration via input output (I/O) ports. Sync with a camera or any other system device with I/O capability. The automatic DAY/NIGHT switch turns IR ON/OFF based upon lighting conditions.

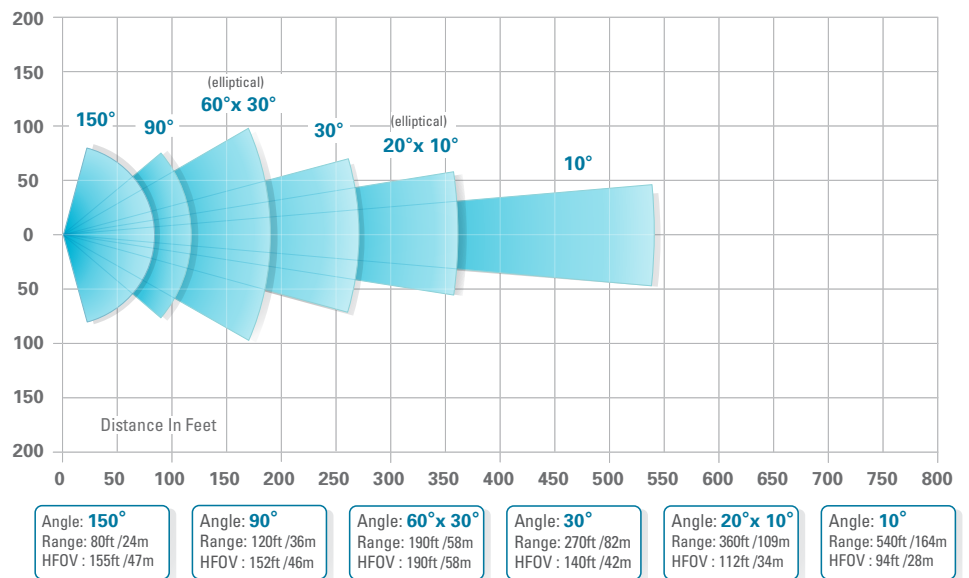
## Lifetime Warranty - Made in the USA

Covered by a lifetime warranty with advanced replacement. All AXTON lights are designed and manufactured in the USA.

### Features

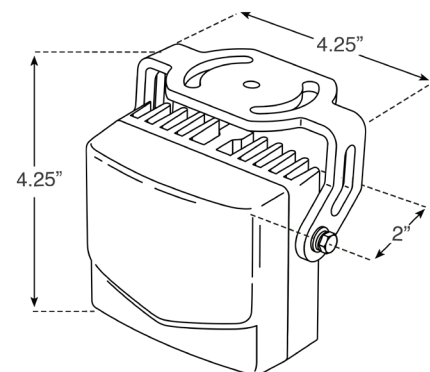
- 9 to 28 VDC Input Voltage
- 850nm Infrared
- Outdoor IP67 Rated
- Range up to 540ft (10°)
- I/O Ports for Seamless Sync
- Automatic Day/Night Switch
- Designed & Manufactured in the USA
- Lifetime Warranty

### Illumination Range



### Specifications

Wavelength	850nm Infrared
Input Voltage	9 to 28 VDC
Power Consumption	11 Watts
Angle/Coverage Options	150°, 90°, 60°x30°, 30°, 20°x10° or 10°
Operating Temperature	-58° to 140°F / -50° to 60°C
Dimensions	4.25" x 2" x 4.25" / 108 x 51 x 108mm
Weight	1.25 lbs/ .56kg
Environmental	Outdoor IP67 Rated
Mounting	Pan/Tilt U Bracket Included



801 Robinson Drive, Suite #500, North Salt Lake, UT 84054  
 ☎ 801/519-0500 📠 801/519-0501 ✉ sales@axtontech.com 🌐 axtontech.com

