

# WAT100D

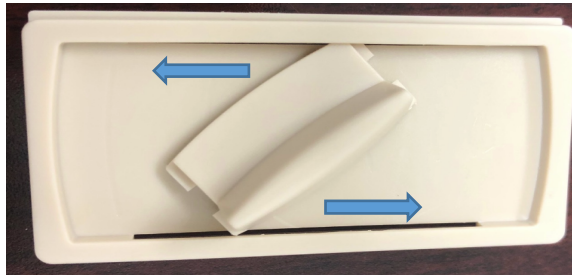
## 100W 70/25V Decora Slider Volume Control with 3 Colors

---

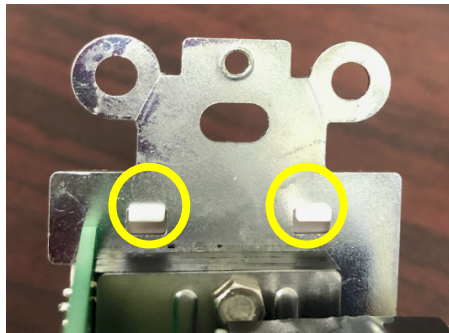
Thank you for your choice of Speco Technologies' **WAT100D** volume control. This unit is designed and manufactured to provide a stylish and high-power alternative to conventional commercial volume controls. For your convenience and to match many standard decors, 3 color choices for plate and slider knob are included with this unit.

### INSTALLATION INSTRUCTIONS:

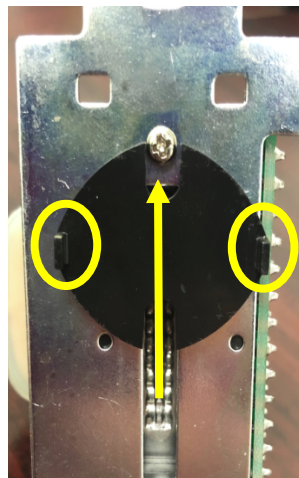
- 1) The **WAT100D** includes 3 color choices: Ivory, White and Almond.
- 2) BEFORE installing the unit into the wall, select your desired color.
- 3) Insert the appropriate color slider into the slider plate. To insert, place it vertical inside the cavity and then twist it in.



- 4) If the unit already has a slider plate attached to the unit, and you wish to use a different color, simply press both tabs on one end forward from the rear of the unit at the same time to remove.



- 5) Slide the black plate on the unit all the way to the top.
- 6) The slider knob has grooves to align with the ridges on the black plate attached to the control. Make sure the slider knob is also all the way to the top, and then connect the entire assembly to the volume control. You can tell if you have aligned the knob correctly if it does not slide down on its own while turning the entire volume control up and down. There should be the slightest resistance and you can feel the steps of the volume control.



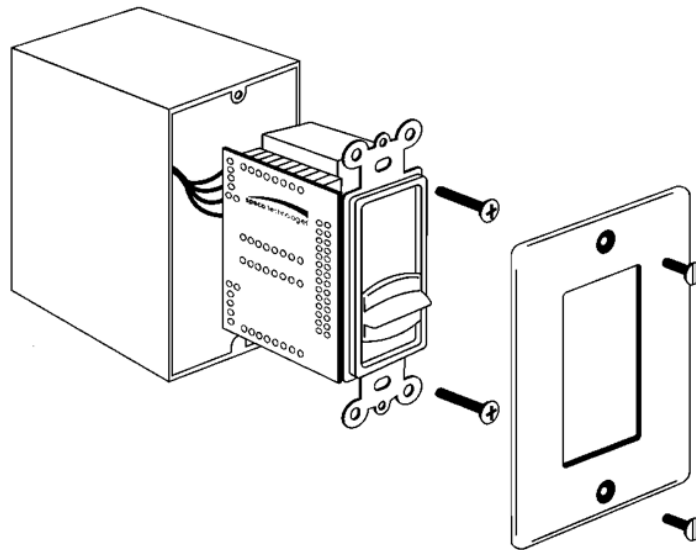
- 7) To wire, you should remove the phoenix connector on the back of the unit for easier connection.

- 8) The arrow signifies negative (-) polarity. For the input from your amplifier, wire the negative wire to the arrow, and the positive to the "in" terminal. For output to the speakers, negative wire to arrow, and positive wire to "out."



**WARNING: DO NOT CONNECT MORE THAN 100 WATTS OF 70V or 25V SPEAKERS TO THIS UNIT OR YOU RISK DAMAGING YOUR SPEAKERS, AMPLIFIER AND/OR VOLUME CONTROL. DO NOT REVERSE IN AND OUT CONNECTIONS OR RISK DAMAGING EQUIPMENT. ALSO ENSURE YOUR AMPLIFIER CAN HANDLE 100W OF SPEAKERS. IF YOU HAVE ANY DOUBT AT ALL ABOUT ANY ASPECT OF INSTALLATION, PLEASE CONTACT A QUALIFIED INSTALLER.**

- 9) Using the screws provided, install the completed assembly into a single gang electrical work box, approximately 18 cubic inches or greater. An open back electrical box or plaster ring may be more convenient to work with. **Note:** Avoid mounting the WAT100D next to AC lines or dimmers.



#### **SPECIFICATIONS:**

- For up to 100W of 70V or 25V speakers
- 12-position soft-touch slider switch
- Total attenuation at 33dB
- Fits most standard single gang high-cube junction box
- Removable screw clamp connector
- Accepts up to 12 GA wire

#### **WARRANTY INFORMATION:**

We warranty this product to be free from any manufacturing or material defects for two (2) years from the date of purchase.

This warranty will not extend to any products which have been subjected to misuse, neglect, accident, or improper installation, used in violation of instructions furnished by us; or to units which have been repaired or altered outside of the factory. This limited warranty does not apply to broken cases, batteries, or other physically damaged parts.

Upon request by the customer, Speco Technologies ("The Company") will, at the customer's expense, repackage merchandise in new cartons, replace missing accessories, and return in resalable condition. Unless requested, the company will replace and return all merchandise in the packaging in which it was received. This warranty is in lieu of all expressed warranties, expressed or implied, and of all obligations or liability on our part, and we neither assume nor authorize any representative or other person to assume for us any obligation or liability. In no event shall we be liable for incidental or consequential damages arising from the use of the product, or for any delay in the use of this product due to causes beyond our control. Some states do not allow limitations of how long an implied warranty lasts and/or do not allow the exclusion or limitation of consequential damages. The above limitations on implied warranty and consequential damages may not apply to you. This warranty gives you specific legal rights. You may have other rights which vary from state to state. See actual warranty statement included with product for limitations and exclusions where applicable. This limited warranty extends to products listed in the company's current price schedule.