



5MP model	2.1MP/1080p model
DWC-MB75Wi4TDMP	DWC-MB72Wi4TDMP

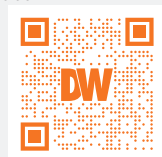


WHAT'S IN THE BOX

Quick Setup and Download Guides		1 set	Screws and Plastic Anchors - 4pcs		1 set
Mounting Template		1	Star Wrench (T-20)		1
Moisture Absorber and Absorber guide (Recommended)		1 set	Waterproof Cap and Rubber Rings (Black: ø0.15" (ø4mm), White: ø0.19" (ø5mm))		1 set

NOTE: Download all your support materials and tools in one place

- Go to: <http://www.digital-watchdog.com/resources>
- Search your product by entering the part number in the 'Search by Product' search bar. Results for applicable part numbers will populate automatically based on the part number you enter.
- Click 'Search'. All supported materials, including manuals and quick start guide (QSGs) will appear in the results.



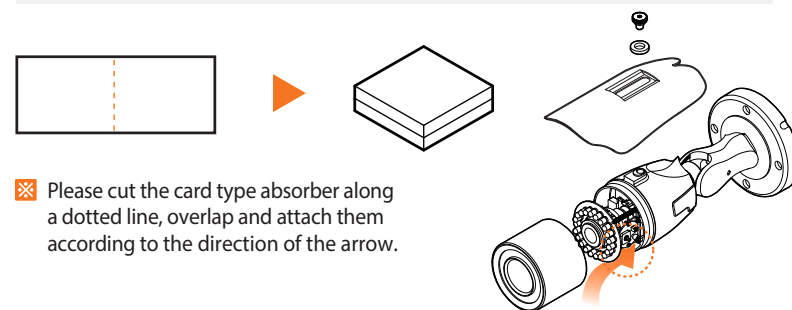
Attention: This document is intended to serve as a quick reference for initial set-up. It is recommended that the user read the entire instruction manual for complete and proper installation and usage.

STEP 1 - PREPARING TO MOUNT THE CAMERA

- The mounting surface must bear five times the weight of your camera.
- Do not let the cables get caught in improper places or the electric line cover to be damaged. This may cause a breakdown or fire.
- CAUTION:** These servicing instructions are for use by qualified service personnel only. To reduce the risk of electric shock do not perform any servicing other than that contained in the operating instructions unless you are qualified to do so.
- This product is intended to be supplied by a UL Listed Power Supply Unit marked "Class 2" or "LPS" or "PS2" and rated 12 Vdc, 0.54A (DWC-MB75Wi4TDMP) and 0.38A (DWC-MB72Wi4TDMP) min.
- The wired LAN hub providing power over the Ethernet (PoE) in accordance with IEEE 802.3af shall be a UL Listed device with the output evaluated as a Limited Power Source as defined in UL60950-1 or PS2 as defined in UL62368-1.
- Unit is intended for installation in a Network Environment 0 as defined in IEC TR 62102. As such, associated Ethernet wiring shall be limited to inside the building.
- Install the moisture packet in the base of the camera's lens.
 - Remove the moisture absorber from the packaging.
 - Cut the card and folder along the dotted line.
 - Place the moisture absorber behind the camera's lens module. See drawing for more information.

NOTE: The camera will generate enough heat to dry moisture during operation. In most cases it will not need the moisture absorber for more than the first day. In cases where the camera can experience a moisture issue, users must keep the moisture absorber in the camera. The moisture absorber has an approximately 6-month life cycle, varying depending on the environment.

WARNING: It is highly recommended that you install the moisture absorber when mounting the camera. The moisture absorber prevents moisture from being captured inside the camera's housing, which may cause image performance issues and damage the camera.



✂ Please cut the card type absorber along a dotted line, overlap and attach them according to the direction of the arrow.

- Using the mounting template sheet or the camera itself, mark and drill the necessary holes in the wall or ceiling.

STEP 2 - POWERING THE CAMERA

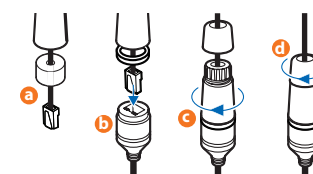
Pass the wires through and make all necessary connections.

- When using a PoE Switch or PoE Injector, connect the camera using an Ethernet cable for both data and power.
- When not using a PoE Switch or PoE Injector, connect the camera to the switch using an Ethernet cable for data transmission and use a power adapter to power the camera.

Part number	Power requirements	Power consumption
DWC-MB75Wi4TDMP	DC 12V, PoE IEEE 802.3af Class 3 (Adapter not included).	DC12V: max 6.5W PoE: max 8.3W
DWC-MB72Wi4TDMP	DC 12V, PoE IEEE 802.3af Class 2 (Adapter not included).	DC12V: max 4.5W PoE: max 6.0W

STEP 3 - INSTALLING THE CAMERA

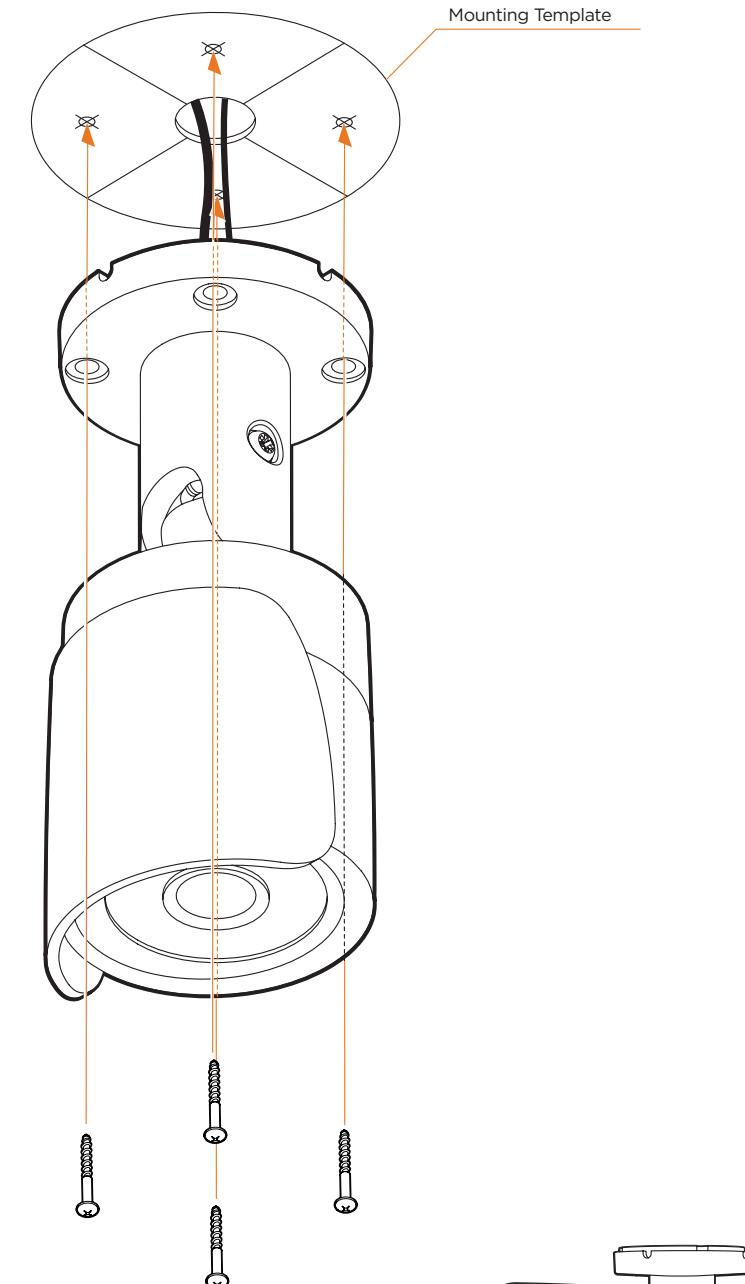
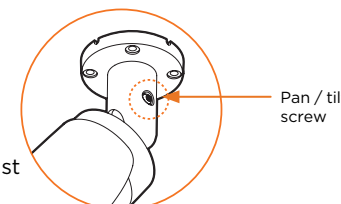
- The waterproof cap set comes with two rubber rings with different diameters. The black rubber ring has an internal diameter of ø0.15" (ø4mm). The white rubber ring has an internal diameter of ø0.19" (ø5mm). When using the waterproof cap, use the rubber ring best suited for your network cable's diameter.
 - Pass the LAN cable through the waterproof cap, gasket and the a rubber ring.
 - Connect the LAN cable to the camera's network port b.
 - c will be affixed to b with a ¼ turn counter-clockwise.
 - Thread and twist d tightly to c.



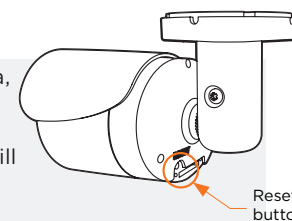
NOTE: To ensure moisture seal, make sure the o-ring is in place between a and b. In extreme environments use of an outdoor rated sealer is recommended.

NOTE: Cables with ø4.5mm to ø5.5mm thickness should use the black rubber ring. Cables over ø5.5mm in thickness should use the white rubber ring.

- Mount the camera to the mounting surface and secure using the screws and anchors included.
- Loosen the pan and tilt screw at the base of the camera's bracket to adjust the camera's view and position.



Resetting the camera: To reset the camera, use the tip of a paper clip or a pencil and press the reset button. Pressing the button for five (5) seconds will initiate a camera-wide reset of all the settings, including network settings.



NOTE: Please refer to DMP guide for additional information on integration and camera control.