

## Wall-mount bracket for SiteWatch™ laser sensor

**DW-DTWMDTLA5**



### WHAT'S IN THE BOX

1x wall mount bracket for DW-DTLA500 laser sensor

1x Allen key

4x mounting screws (bracket to laser base)

1x rubber gasket

1x quick setup guide

**NOTE:** Download all your support materials and tools in one place.

1. Go to: <http://www.digital-watchdog.com/resources>.
2. Search for your product by entering the part number in the 'Search by Product' search bar. Results for applicable part numbers will populate automatically based on the part number you enter.
3. Click 'Search'. All supported materials, including manuals and quick start guide (QSGs) will appear in the results.



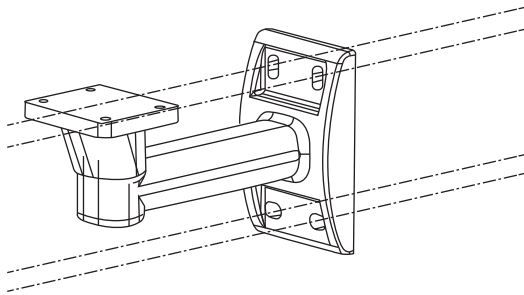
**Attention: This document is intended to serve as a quick reference for initial setup. It is recommended that the user read the entire instruction manual for complete and proper installation and usage.**

## INSTALLING THE MOUNTING ACCESSORY

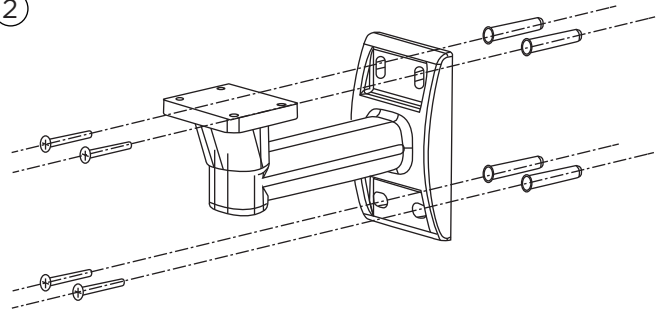
The wall-mount bracket must be attached to a mounting surface such as hardwood, wall stud, concrete or material capable of supporting the wall-mount and SiteWatch™ laser sensor. Installers may need to change the mounting method or hardware used depending on the mounting surface material.

1. Use the wall-mount bracket to mark and drill the necessary holes in the mounting surface.
2. Attach the wall mount bracket to the mounting surface using appropriate tapping screws (tapping screws, plastic anchors and PTS1 M6x40L connector are not included).

①

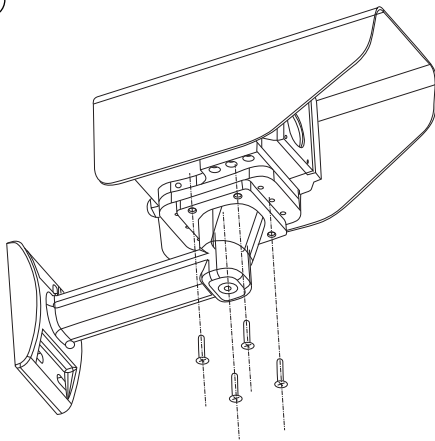


②



3. Once the wall-mount bracket is secured, attach the SiteWatch™ laser sensor to the wall-mount using the M5 screws included.
4. Once the SiteWatch™ laser sensor is secured to the wall-mount, adjust the position of the sensor by loosening the tilt screw on the bottom of the wall-mount, using the hex key included. Adjust the sensor's position vertically and horizontally. Once the required position is achieved, tighten the tilt screw on the bottom of the wall-mount to complete the installation.

③



④

