

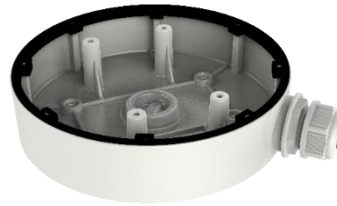
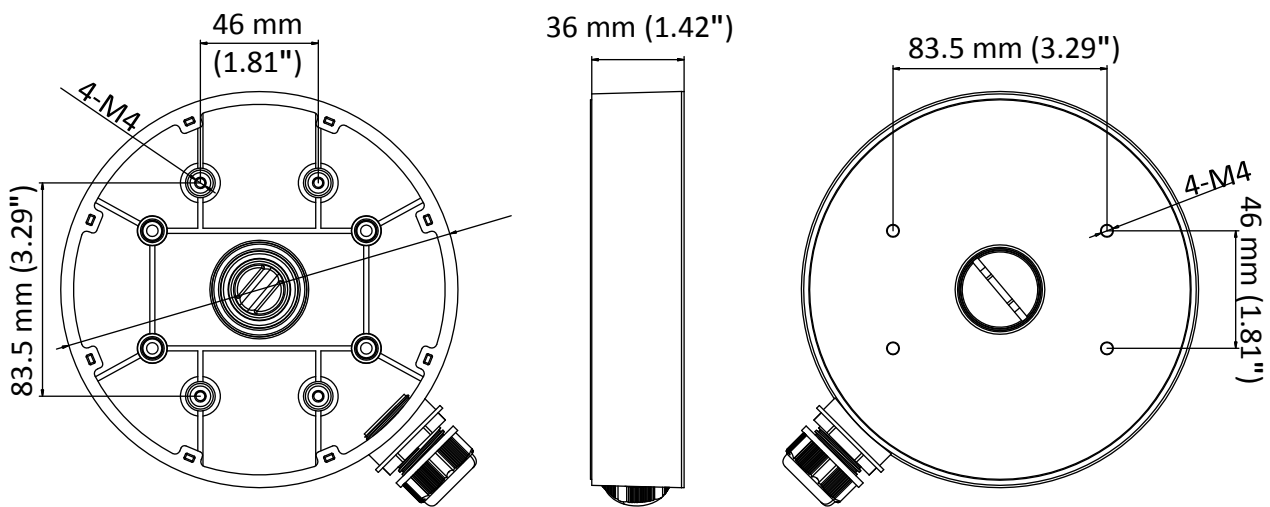
LTB722

Junction Box

Features

- Aluminum alloy with surface spray treatment
- With cable outlet(s)
- Applies to both indoor conditions, and outdoor conditions

Dimension



Parameter

Model	LTB722
Parameters	Junction Box
Appearance	White
Material	Aluminum Alloy
Dimension	Φ 155 mm × 36 mm (Φ 6.1" × 1.42")
Weight	300 g (0.66 lb.)

Notes

- The mount should be installed on the flat surface.
- Waterproof rubber is necessary for the outdoor application.
- The wall must be capable of supporting at least 3 times as much as the total weight of the camera, and the junction box.
- The maximum load capacity of the junction box is 2 kg (4.4 lb.).