

8MP ePoE Starlight+ Network Bullet Camera

True Wide Dynamic Range Fixed-lens Network Camera with Analytics+



Wiz Mind



WizMind Series devices offer Dahua Analytics+ functions for comprehensive, human-oriented analytic solutions. WizMind Series products are ideal for complex applications with demanding requirements that need advanced analytic capabilities.

System Overview

The Dahua 8 MP Starlight+ ePoE camera offers Analytics+ functions at the edge – performing complex real-time perimeter protection surveillance, people counting, and face capture. The Dahua Analytics+ algorithms significantly improve accuracy and reliability as compared to standard intelligent features. The camera is ideal for a host of diverse applications — Starlight+, True Wide Dynamic Range, and Smart IR technologies allow the camera to operate in any lighting condition and the IP67 rating makes the camera suitable for the harshest environments.

Functions

Perimeter Protection

Dahua Analytics+ includes Tripwire and Intrusion functions that offer custom tripwires based on object type for automation in limited access areas. Perimeter Protection requires less pixels to detect an object to deliver improved accuracy and decreased false alarms due to lights, weather, trees, or animals.

People Counting

The camera uses complex real-time people counting algorithms to deliver accurate flow statistics from two distinct people counting functions, Line Crossing and Regional. The line crossing function counts the number of people crossing a defined line, and the regional function counts the number of people in a distinct, user-defined area. People counting is ideal for measuring the number of customers entering or exiting a location and to monitor groups of people in a distinct location.

- 1/1.8-in. 8 MP Progressive-scan CMOS Sensor
- Triple-stream Encoding
- AI Coding, Smart H.265+, and Smart H.264+ Video Compression
- 8 MP (3840 x 2160) at 30 fps, 2.8 mm Fixed Lens
- Enhanced Power and Data Transmission Distances (ePoE)
- Starlight+ Technology for Low-light Applications
- Analytics+ Functions — Perimeter Protection, People Counting, Queue Management, Smart Motion Detection+, and Face Detection
- Built-in Microphone
- ArcticPro Series Camera — Operational down to -40°C (-40°F)
- IP67 Ingress Protection and IK10 Vandal Resistance
- Maximum IR LED Distance 30 m (98.43 ft)
- Five-year Warranty*



Smart Motion Detection+

Smart Motion Detection+, a component of Dahua's Analytics+ technology, improves alarm accuracy and decreases the number of false alarms. The advanced SMD+ algorithm analyzes a scene for human or vehicle motion, while filtering out other motion due to trees, leaves, animals, weather, and triggers an alarm when detected. SMD+ also saves time when searching recorded video by filtering false alarms and allowing quick retrieval of an alarm due to a person or vehicle.

Enhanced Power over Ethernet (ePoE) Technology

Dahua's innovative ePoE technology offers a plug-and-play solution to transmit power and data over long distances via Ethernet or coaxial cables, reducing installation time and saving money. ePoE technology is a viable, cost-effective solution for extending transmission distances and for converting existing, coax-based analog systems into IP systems.

ArcticPro

The Dahua ArcticPro Series of extreme-environment cameras combine temperature-tolerant components with a waterproof enclosure to ensure flawless operation in temperatures as low as -40°C (-40°F) without the need for an internal heater. The lack of a heater reduces the camera's power consumption and saves operating costs. For applications that demand high-resolution video with advanced features in extremely cold environments, the Dahua ArcticPro Series offers a camera to satisfy the most demanding requirements.

Cybersecurity

Dahua network cameras are equipped with a series of key cybersecurity technologies including: security authentication and authorization, access control, trusted protection, encrypted transmission, and encrypted storage. These technologies improve the camera's ability to prevent malicious access and to protect data.

Environmental

The camera complies with an IK10 impact rating making it capable of withstanding the equivalent of 5 kg (11.02 lbs) of force dropped from a height of 40 cm (15.75 in.). Subjected to rigorous dust and water immersion tests and certified to the IP67 Ingress Protection rating makes it suitable for demanding outdoor applications.

Technical Specification

Camera

Image Sensor	1/1.8-in. 8 MP CMOS
Effective Pixels	3840(H) x 2160(V)
RAM/ROM	1 GB/128 MB
Scanning System	Progressive
Electronic Shutter Speed	Auto, Manual, 1/3 s to 1/100,000 s
Minimum Illumination	Color: 0.004 lux at F1.4 (30 IRE) B/W: 0.0004 lux at F1.4 (30 IRE) 0 lux at F1.4 (with IR on)
S/N Ratio	Greater than 56 dB
IR Distance	Up to 30 m (98.43 ft)
IR On/Off Control	Auto, Manual
IR LEDs	Four (4)

Lens

Lens Type	Fixed-focal				
Mount Type	M16				
Focal Length	2.8 mm				
Maximum Aperture	F1.4				
Angle of View	Horizontal: 111° Vertical: 59° Diagonal: 131°				
Focus Control	Fixed				
Close Focus Distance	1.80 m (5.91 ft)				
DORI ¹ Distance	Lens	Detect	Observe	Recognize	Identify
	2.8 mm	85.40 m (282.20 ft)	34.20 m (112.20 ft)	17.10 m (56.10 ft)	8.50 m (27.90 ft)

Installation Angle

Range	Pan: 0° to 355° Tilt: 0° to 80° Rotation: 0° to 355°
-------	--

Video

Compression	AI Coding, Smart H.265+, H.265, Smart H.264+, H.264, H.264B, H.264H, MJPEG (Sub Stream only)
Streaming Capability	Three (3) Streams
Resolution	8 MP (3840 x 2160), 3072 x 2048, 3072 x 1728, 2592 x 1944, 4 MP (2688 x 1520), 3 MP (2048 x 1536), 2304 x 1296, 1080p (1920 x 1080), 1.3 MP (1280 x 960), 720p (1280 x 720), D1 (704 x 480), VGA (640 x 480), CIF (352 x 240)
Frame Rate ²	Main Stream: 8 MP (3840 x 2160) at 30 fps
	Sub Stream 1: D1 at 30 fps
	Sub Stream 2: 1080p at 30 fps
Bit Rate Control	CBR/VBR
Bit Rate	H.264: 32 Kbps to 8192 Kbps H.265: 32 Kbps to 8192 Kbps
Day/Night	Auto (ICR), Color, B/W
BLC Mode	BLC, HLC, True WDR (120 dB), SSA

White Balance	Auto, Natural, Street Lamp, Outdoor, Manual, Regional Custom
Gain Control	Auto, Manual, Gain Priority, Shutter Priority
Noise Reduction	3D DNR
Motion Detection	Off, On (4 Zones, Rectangular)
Region of Interest	Off, On (4 Zones)
Advanced Features	Smart IR, Defog
Flip	0°, 90°, 180°, 270°
Mirror	Off, On
Privacy Masking	Off, On (8 Areas, Rectangular)

Audio

Compression	PCM, G.711A, G.711Mu, G.726, G.723
-------------	------------------------------------

Network

Ethernet	RJ-45 (10/100 Base-T)
Protocol	HTTP, HTTPS, TCP, ARP, RTSP, RTP, UDP, SMTP, FTP, DHCP, DNS, DDNS, PPPOE, IPv4/v6, QoS, UPnP, NTP, ICMP, IGMP, 802.1x
Interoperability	ONVIF Profile S, G, T; CGI; Milestone; P2P
Auto Register	Support
Streaming Method	Unicast, Multicast
Maximum User Access	20 Users (Total bandwidth: 80 Mbps)
Edge Storage	Network Attached Storage (NAS) FTP, SFTP Micro SD Slot, maximum 256 GB
Web Viewer	IE (Version 8 and higher), Chrome, Firefox, Safari (Version 12 and higher)
Management Software	DSS, DMSS
Mobile Operating System	IOS, Android
Cybersecurity	Video Encryption, Firmware Encryption, Configuration Encryption, Digest, WSSE, Account Lockout, Security Logs, IP/MAC Filtering, Generating and Importing X.509 Certification, Syslog, HTTPS, 802.1x, Trusted Boot, Trusted Execution, Trusted Upgrade

Certifications

Safety	UL60950-1 CAN/CSA C22.2 No.60950-1-07, EN60950-1
Electromagnetic Compatibility (EMC)	FCC CFR 47 Part 15 Subpart B Electromagnetic Compatibility Directive 2014/30/EU

Interface

Audio	Input: One (1) Channel, RCA plus a built-in Microphone Output: One (1) Channel, RCA
Alarm	Input: One (1) Channel (5 mA, 5 VDC) Output: One (1) Channel (300 mA, 12 VDC)

Electrical

Power Supply	12 VDC (±30%), PoE (IEEE 802.3af, Class 0), or ePoE	
Power Consumption	12 VDC	Standard: 3.6 W Maximum: 4.1 W
	PoE	Standard: 6.2 W Maximum: 7.5 W

Environmental

Operating Conditions	-40° C to +60° C (-40° F to +140° F), Less than 95% RH
Storage Conditions	-40° C to +60° C (-40° F to +140° F)
Ingress Protection	IP67
Vandal Resistance	IK10

Construction

Casing	Metal
Dimensions	241.10 mm x 79.0 mm x 75.90 (9.61 in. x 3.11 in. x 2.99 in.)
Net Weight	0.82 kg (1.80 lb)
Gross Weight	1.08 kg (2.38 lb)

Analytics+ Functions

Smart Plan Schedule	Enable Analytics+ functions depending on a user-defined schedule. Allows the camera to switch analytic functions based on time.	
Perimeter Protection	<ul style="list-style-type: none"> Detects human or vehicle violations using the following methods: <ul style="list-style-type: none"> Tripwire: a target crosses a defined line. Intrusion: a target enters or exits a defined perimeter. Monitors a combination of detection methods. Search and retrieve video based on target type. 	
People Counting	<ul style="list-style-type: none"> Delivers accurate flow statistics from the following methods: <ul style="list-style-type: none"> Line Crossing: counts a person as they cross a threshold in a defined direction. Region: counts the number of people in a defined area. Counts people simultaneously from four (4) threshold lines and four (4) defined regions³. 	
Face Detection	<ul style="list-style-type: none"> Detects and captures a snapshot of a human face within a scene. 	
Smart Motion Detection+ ³	<ul style="list-style-type: none"> Differentiates between and classifies human and vehicle objects. Filters false alarms due to leaves, lights, animals, and other inconsequential objects. Extracts human or vehicle objects from recorded video for quick target search and retrieval. 	
Recommended Detection Distance	Human	Up to 10.0 m (32.81 ft)
	Vehicle	Up to 15.0 m (49.21 ft)

Intelligent Video System Functions

IVS triggers an alarm and takes a defined action for the following events:

Standard Features	<ul style="list-style-type: none"> Tampering with the camera. Error writing to an onboard Micro SD card. Error sending or receiving data over the network. Unauthorized access to the camera. IP Address Conflict
Premium Features	
Missing Object	An object is missing from a designated area.
Abandoned Object	An object is placed in a designated area where no object should be.
Scene Change	A person or object moves the camera to change the scene or covers the camera to obscure the scene.
Fast Moving	Target exceeds a set speed when exiting a defined area
Parking Detection	Vehicle remains in a defined area without motion for a set period of time.
Crowd Gathering	Specified number of people remain inside a defined area for a set time.
Loitering Detection	Target is in motion inside a defined area longer than a specified amount of time.

ePoE Transmission Distances

Via CAT5E/CAT6 Ethernet Cable

ePoE supply voltage 48 V
Maximum DC resistance < 10 Ω/100 m

Cable Length, m (ft)	Bandwidth, Mbps	PoE Load Capacity, W	Hi-PoE Load Capacity, W	Working Mode
100 (328)	100	25.5	53	IEEE/E100
200 (656)	100	25.5	33	E100
300 (984)	100	19	19	E100
400 (1312)	10	17	17	E10
500 (1640)	10	13	13	E10
800 (2625)	10	7	7	E10

Via CAT5E/CAT6 Ethernet Cable

ePoE supply voltage 53 V
Maximum DC resistance < 10 Ω/100 m

Cable Length, m (ft)	Bandwidth, Mbps	PoE Load Capacity, W	Hi-PoE Load Capacity, W	Working Mode
100 (328)	100	25.5	53	IEEE/E100
200 (656)	100	25.5	47	E100
300 (984)	100	25.5	32	E100
400 (1312)	10	23	26	E10
500 (1640)	10	20	20	E10
800 (2625)	10	13	13	E10

Via RG-59 Coaxial Cable

ePoE supply voltage 48 V
Maximum DC resistance < 5 Ω/100 m

Cable Length, m (ft)	Bandwidth, Mbps	PoE Load Capacity, W	Hi-PoE Load Capacity, W	Working Mode
100 (328)	100	25.5	50	IEEE/E100
200 (656)	100	25.5	30	E100
300 (984)	100	18	18	E100
400 (1312)	100	15	15	E100
500 (1640)	10	12	12	E10
800 (2625)	10	6	6	E10
1000 (3281)	10	5	5	E10

Via RG-59 Coaxial Cable

ePoE supply voltage 53 V
Maximum DC resistance < 5 Ω/100 m

Cable Length, m (ft)	Bandwidth, Mbps	PoE Load Capacity, W	Hi-PoE Load Capacity, W	Working Mode
100 (328)	100	25.5	52	IEEE/E100
200 (656)	100	25.5	48	E100
300 (984)	100	25.5	30	E100
400 (1312)	100	20	23	E100
500 (1640)	10	16	16	E10
800 (2625)	10	10	10	E10
1000 (3281)	10	8	8	E10

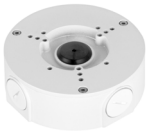
- The DORI distance is a measure of the general proximity for a specific classification to help pinpoint the right camera for your needs. The DORI distance is calculated based on sensor specifications and lab test results according to EN 62676-4, the standard that defines the criteria for the Detect, Observe, Recognize and Identify classifications.
- The video frame rates listed are the maximum rates for each stream. The actual video rates are subjected to the total encoding capacity.
- Pair a Smart Motion Detection camera with a Dahua recording device that also offers SMD functionality to take advantage of SMD alarm filtering and object classification when searching and playing back recorded video.

Ordering Information

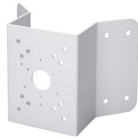
Type	Part Number	Description
Analytics+ Camera	N85DF62	8 MP ePoE Starlight+ Fixed Lens Bullet Camera
Accessories, optional	PFA130-E	Junction Box
	PFA151	Corner Mount
	PFA152-E	Pole Mount
	DH-PFM321D-US	12 VDC, 1 A Power Adapter
ePoE Accessories, optional	LR1002	EoC Passive Converter
	LR1002-1EC	Single-port EoC Receiver

Accessories

Optional:



PFA130-E
Junction Box



PFA151
Corner Mount



PFA152-E
Pole Mount



LR1002
EoC Passive
Converter

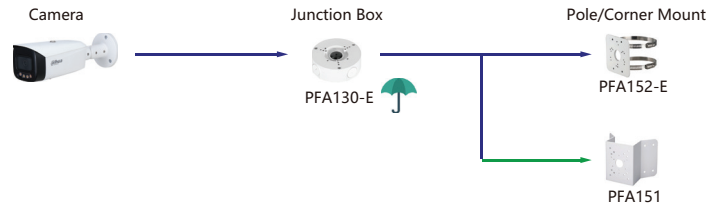


LR1002-1EC
Single-port EoC
Receiver

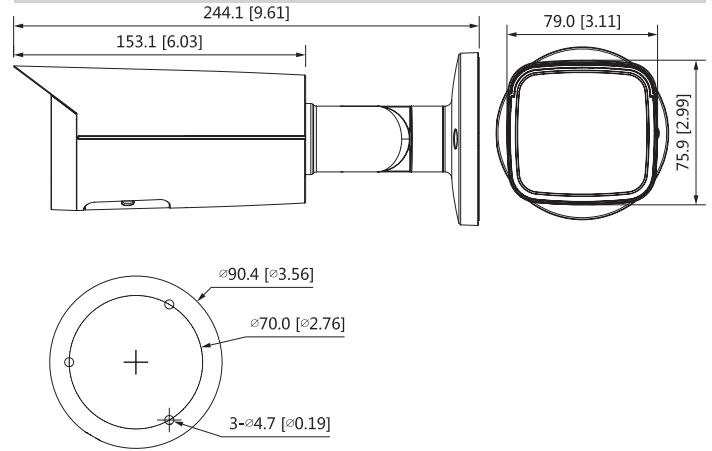


DH-PFM321D-US
12 VDC, 1 A
Power Adapter

Mounting Diagram



Dimensions



Ceiling Mount	Junction Mount PFA130-E	Pole Mount PFA130-E+PFA152-E