



Network

PNM-C19183RVTP

5MP 3CH fixed + 4MP 18x PTZ AI Camera



Key Features

- Full coverage All-in-One design (5MP 3CH fixed + 4MP 18x PTZ)
- Compact size (ø250)
- Object detection (Person/Face/Vehicle/License plate), IVA (Virtual line/Area, Enter/Exit, Loitering, Direction, Intrusion),
- Business intelligence based on AI engine : People/Vehicle counting
- Support Alarm/Audio via optional SPM-4210 I/O box
- Up to 15m IR distance
- Auto calibration
- Support Smart Zoom (Advanced Handover)
- WiseStream (Based on AI engine)
- Secure element (FIPS 140-3 level3, CC EAL6+), SBOM

Compatible Devices



SPB-MDC41V

PNM-C19183RVTP

5MP 3CH fixed + 4MP 18x PTZ AI Camera



Specifications

Video		Ch 1	Ch 2	Ch 3	PTZ
Imaging Device	Size	1/2.8"			
	Type	CMOS			
Resolution		2592x1944, 2560x1440, 1920x1080, 1280x960, 1280x720, 800x600, 800x448, 720x576, 720x480, 640x480, 640x360, 320x240	2592x1944, 2560x1440, 1920x1080, 1280x960, 1280x720, 800x600, 800x448, 720x576, 720x480, 640x480, 640x360, 320x240	2592x1944, 2560x1440, 1920x1080, 1280x960, 1280x720, 800x600, 800x448, 720x576, 720x480, 640x480, 640x360, 320x240	2592x1520, 2560x1440, 1920x1080, 1280x1024, 1280x960, 1280x720, 1024x768, 800x600, 800x448, 720x576, 720x480, 640x480, 640x360, 320x240
Max. Framerate	H.265/H.264	30fps	30fps	30fps	30fps
	MJPEG	30fps(@5MP Max. 5fps)	30fps(@5MP Max. 5fps)	30fps(@5MP Max. 5fps)	30fps(@4MP Max. 5fps)
Min. Illumination (Lux)	Color(1/30sec, 30IRE)	0.08	0.08	0.08	0.05
	BW(1/30sec, 30IRE)	0.008	0.008	0.008	0.005
Video Out		USB: Micro USB Type C			

Lens

Focal Length (mm)		2.4	2.4	2.4	5.42~98.29
Zoom Ratio	Optical				18x
	Digital				32x
Max Aperture Ratio (F number)	Wide	2.0	2.0	2.0	2.0
	Tele				3.27
Angular Field of View	Horizontal	123°	123°	123°	53.1°~3.39°
	Vertical	91°	91°	91°	31.75°~1.98°
	Diagonal	159°	159°	159°	60.8°~3.92°
Min. Object Distance		0.5m(1.64ft)	0.5m(1.64ft)	0.5m(1.64ft)	5.0m(16.4ft)
Focus Control		Fixed	Fixed	Fixed	Oneshot AF, Focus save
Lens Type		Fixed iris	Fixed iris	Fixed iris	DC auto iris with hall sensor

Pan / Tilt / Rotate

Pan Speed	Preset				Max. 600°/sec
	Manual				0.024°/sec~250°/sec

Pan / Tilt / Rotate

Tilt Speed	Preset				Max. 500°/sec
	Manual				0.024°/sec~250°/sec
Sequence					Preset(300ea), Swing, Group(6ea), Trace, Tour, Auto Run, Schedule
Preset Accuracy					±0.2°

Operational

Direction Indicator					Support
Day & Night		Auto(ICR)			
Backlight Compensation		BLC, WDR, SDR	BLC, WDR, SDR	BLC, WDR, SDR	BLC, HLC, WDR, SDR
Wide Dynamic Range (dB)		120			
Digital Noise Reduction		WiseNR II (Based on AI engine), SSNRV			
Digital Image Stabilization					Support
Defog		Support			
Motion Detection	Quantity	8ea			
	Shape	8point Polygonal zones			
Privacy Masking	Quantity	12ea	12ea	12ea	32ea
	Shape	4point Quadrangle zones	4point Quadrangle zones	4point Quadrangle zones	4point Quadrangle zones
	Color / Option	Gray, Green, Red, Blue, Black, White	Gray, Green, Red, Blue, Black, White	Gray, Green, Red, Blue, Black, White	Gray, Green, Red, Blue, Black, White, Mosaic
Gain Control		Low, Middle, High	Low, Middle, High	Low, Middle, High	Off, Max gain, Manual
White Balance		ATW, AWC, Manual, Indoor, Outdoor	ATW, AWC, Manual, Indoor, Outdoor	ATW, AWC, Manual, Indoor, Outdoor	ATW, NarrowATW, AWC, Manual, Indoor, Outdoor, Mercury, Sodium
LDC		Support	Support	Support	
Electronic Shutter	Mode	Minimum, Maximum, Anti flicker, Prefer shutter control(Based on AI engine)			
	Speed Range	1/5~1/12,000sec			
Video Rotation					Flip, Mirror
Alarm Interface	Others	Support alarm I/O via optional I/O box			
Alarm Triggers		Analytics, Network disconnect, Alarm input, App event, Time schedule, MQTT subscription			
Alarm Events When Alarm Trigger Occurred		File upload(image): e-mail/FTP, Notification: e-mail, Recording: SD/SDHC/SDXC or NAS recording at event triggers,Alarm output, MQTT: publication,Smart zoom			
Audio In		Support via optional I/O box			
Audio Out		Support via optional I/O box			
Light Type		IR LED	IR LED	IR LED	

Operational

Light Viewable Length	IR	15m(49.21ft), 10m(32.8ft) under 3m height installation	15m(49.21ft), 10m(32.8ft) under 3m height installation	15m(49.21ft), 10m(32.8ft) under 3m height installation	
IR Wavelength		850nm	850nm	850nm	
Auto Tracking					Object auto tracking(Person/Vehicle), Target lock tracking

Analytics

Classified Object Type	Person, Face, Vehicle, License plate				
Attributes	Person	Upper/Lower clothes color	Upper/Lower clothes color	Upper/Lower clothes color	
	Vehicle	Type(car, bus, truck, motorcycle, bicycle), Color	Type(car, bus, truck, motorcycle, bicycle), Color	Type(car, bus, truck, motorcycle, bicycle), Color	Type(car, bus, truck, motorcycle, bicycle)
Thumbnail		BestShot	BestShot	BestShot	DetectionShot
Analytics Events	Based on AI Engine	Object detection, Virtual line(Crossing/Direction), Virtual area(Loitering/Intrusion/Enter/Exit), Motion detection	Object detection, Virtual line(Crossing/Direction), Virtual area(Loitering/Intrusion/Enter/Exit), Motion detection	Object detection, Virtual line(Crossing/Direction), Virtual area(Loitering/Intrusion/Enter/Exit), Motion detection	Object detection, Virtual line(Crossing/Direction), Virtual area(Loitering/Intrusion/Enter/Exit), Motion detection
	Normal	Tampering, Audio detection, Virtual area(Appear/Disappear)	Tampering, Audio detection, Virtual area(Appear/Disappear)	Tampering, Audio detection, Virtual area(Appear/Disappear)	Tampering, Fog detection, Audio detection
Business Intelligence	Based on AI Engine	People counting, Queue management, Heatmap, Vehicle counting	People counting, Queue management, Heatmap, Vehicle counting	People counting, Queue management, Heatmap, Vehicle counting	

Network

Ethernet	Metal shielded RJ-45(10/100/1000BASE-T)				
Video Compression	H.265/H.264: Main/Baseline/High, MJPEG				
Smart Codec		Manual, WiseStream(Based on AI engine)	Manual, WiseStream(Based on AI engine)	Manual, WiseStream(Based on AI engine)	Manual, WiseStream II
Bitrate Control	H.265/H.264: CBR or VBR, MJPEG: VBR				
Streaming	Unicast	Up to 5 users	Up to 5 users	Up to 5 users	Up to 5 users
	Multicast	Support	Support	Support	Support
	Multiple Streaming	Up to 4 profiles	Up to 4 profiles	Up to 4 profiles	Up to 3 profiles
Protocol	IPv4, IPv6, TCP/IP, UDP/IP, RTP(UDP), RTP(TCP), RTCP, RTSP, NTP, HTTP, HTTPS, SSL/TLS, DHCP, FTP, ICMP, IGMP, SNMPv1/v2c/v3(MIB-2), ARP, DNS, DDNS, QoS, UPnP, Bonjour, LLDP, CDP, SRTP(TCP, UDP Unicast), MQTT, SMTP(StartTLS)				
Application Programming Interface	ONVIF	S, G, T, M			
	Others	SUNAPI(HTTP API), Hanwha Vision Open Platform			
Direct Cloud Connection	Support				

Security

OS / Firmware Protect	Encrypted firmware, Secure boot, Signed firmware
User authentication	Digest authentication, Prevent brute-force attack
Network authentication	IEEE 802.1X(EAP-TLS, EAP-LEAP, EAP-PEAP, MSCHAPv2)
Secure Communication	HTTPS, WSS(WebSocket Secure), SRTP
Access Control	IP-based access control
Data Protect	Encryption credentials, Encrypt compress for live recording file export
Audit	Access / System / Event Log management
Device ID	Device certificate(Hanwha Vision Root CA)
Secure Storage	SDcard partition encrypt(AES-256), Secure element
Supply Chain Security	SBOM
Security Certificate	Secure element(FIPS 140-3 level3, CC EAL6+), ETSI EN 303 645, IEC 62443-4-1

General

Memory	RAM	8GB	8GB	8GB	4GB
	Flash	8GB	8GB	8GB	512MB
Edge Storage	Micro SD/SDHC/SDXC	Max. 1TB x 2slot(Total 2TB)			

Environmental & Electrical

Operating Condition	Temperature	-40°C~+55°C(-40°F~+131°F)
	Humidity	0~100% RH(condensing)
	Others	Start up should be done at above -35°C, Humidity control with AIR vent
Storage Condition	Temperature	-50°C~+60°C(-58°F~+140°F)
	Humidity	0~90% RH(non-condensing)
EPA(Effective Projected Area)	0.038m ²	
Input Voltage	PoE++(IEEE802.3bt type3, Class6)	
Power Consumption	PoE	42W

Mechanical

Color	White	
Material	Aluminum, Hard-coated dome	
Material Management	Declaration	RoHS(EU RoHS directive 2011/65/EU and IEC/EN 63000:2018), REACH(Regulation (EC) No. 1907/2006), Conflict mineral policy(Section 1502 of US Dodd Frank Act)
RAL Code	RAL9003	
Product Dimensions	ø251.4x212mm(ø9.9x8.35")	
Product Weight	4,800g(10.58lb)	
Compatible Conduit Hole	19.1mm(3/4")(M25)	

Mechanical

Compatible Gang Box	Single, Double, 4" Octagon, Square
---------------------	------------------------------------

Certifications & Standards

EMC	FCC 47 CFR 15 Subpart B Class A, ICES-3(A)/NMB-3(A), CE/UKCA - EN55032 Class A, EN 50130-4, EN 61000-3-2, EN 61000-3-3, VCCI CISPR 32 Class A, RCM AS-NZS CISPR 32 Class A, KS C 9832 Class A, KS C 9835
Safety	UL 62368-1, CAN/CSA C22.2 NO. 62368-1, IEC 62471
Environment	IEC 60529 IP66, IEC 62262 IK10, NEMA 250 type 4X

DORI (EN62676-4 standard)

Detect (25PPM/ 8PPF)	Wide	28.1m(92.35ft)	28.1m(92.35ft)	28.1m(92.35ft)	103.7m(340.38ft)
	Tele				1751.8m(5474.46ft)
Observe (63PPM/ 19PPF)	Wide	11.3m(36.94ft)	11.3m(36.94ft)	11.3m(36.94ft)	41.5m(136.15ft)
	Tele				700.7m(2298.99ft)
Recognize (125PPM/ 38PPF)	Wide	5.6m(18.47ft)	5.6m(18.47ft)	5.6m(18.47ft)	20.7m(68.08ft)
	Tele				350.4m(1149.49ft)
Identify (250PPM/ 76PPF)	Wide	2.8m(9.23ft)	2.8m(9.23ft)	2.8m(9.23ft)	10.4m(34.04ft)
	Tele				175.2m(574.75ft)

PNM-C19183RVTP

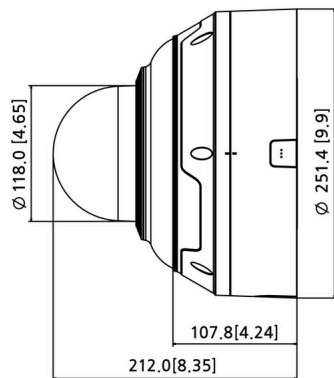
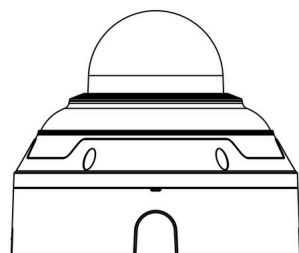
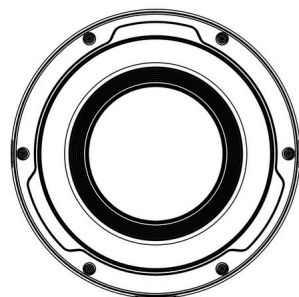
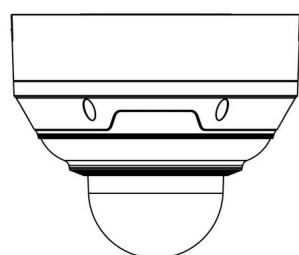
5MP 3CH fixed + 4MP 18x PTZ AI Camera



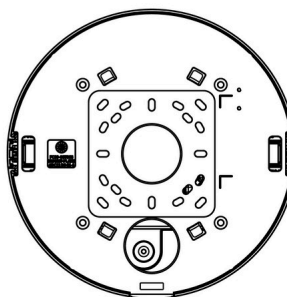
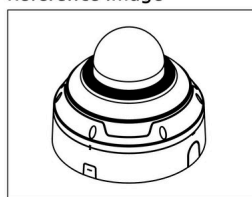
CAD

Unit: mm [inch]

PNM-C19183RVTP 5M Fixed 3CH + 4M 18X PTZ



Reference image



STANDARD GANG		
A	SINGLE	83.5 [3.29]
B	4" OCTAGON	88.0 [3.46]
C' C''	DOUBLE	83.5 [3.29] X 46.0 [1.81]
D	SQUARE	120.6 [4.75]
Conduit		3/4 inch (M25)

Revision	V1.0
Revision Date	25/07/08
Paper Size	A0
Unit	mm [inch]
Scale	1:1