

# 35 SERIES DAY/NIGHT KIT

**HN35040101D45PK / HN35040101E45PK**  
**HN35080202D65PK / HN35080202E65PK**  
**HN35160204D125PK / HN35160204E125PK**

The Honeywell 35 Series Day Night Kits offer installers, system integrators and end users a conveniently packaged, easy to install NVR/Camera combination kit consisting of one 35 Series NVR with 4, 8 or 12 channels paired with 4, 6, or 12 of Honeywell's popular 35 Series 5 MP fixed dome or ball cameras - perfect for small or medium stand alone installations where an onsite eNVR is desired.

## FULL-FEATURED KIT DESIGNED FOR SMALL BUSINESSES

- **AI-Powered Smart Video Analytics:** Effectively reduces false alarms
- **H.265 Smart Codec:** Allows up to a 50% reduction in storage requirements
- **High-Resolution Imaging:** Full color 5 MP cameras (2880 x 1620 at 30 fps) with a 2.8 mm fixed lens, 30m (98ft) maximum IR distance and smart video analytics capture clear, detailed footage for quickly identifying critical events.
- **Free Honeywell HSV Mobile App:** Enables remote monitoring even while on the go
- **Record, Review, Retain:** Live, playback functionality with comprehensive storage capacity for video recording retention
- **Durable Construction:** Robust IP66, IP67 rated cameras built to withstand harsh environmental conditions and provide long-lasting performance

## EASY TO SET UP AND USE

- **Ease of Installation:** Plug-and-play features ensure a hassle-free, easy setup process for both novices or experienced installers.
- **Flexible Adaptability:** 4, 8, or 16 channel NVR options with 1, 2 or 4 TB pre-installed hard disk drives to meet your growing needs

## SECURE AND COMPLIANT

- NDAA Section 889 Compliant
- Meets PCI-DSS regulatory and liability requirements



**HN35040101D45PK**

1 x 4 Channel NVR - HN35040101  
4 x Dome Cameras - HC35W45R3



**HN35040101E45PK**

1 x 4 Channel NVR - HN35040101  
4 x Ball Cameras - HC35WE5R3



**HN35080202D65PK**

1 x 8 Channel NVR - HN35080202  
4 x Dome Cameras - HC35W45R3



**HN35080202E65PK**

1 x 8 Channel NVR - HN35080202  
6 x Ball Cameras - HC35WE5R3



**HN35160204D125PK**

1 x 16 Channel NVR - HN35160204  
12 x Dome Cameras - HC35W45R3



**HN35160204E125PK**

1 x 16 Channel NVR - HN35160204  
12 x Ball Cameras - HC35WE5R3

Individual camera mounting accessories sold separately.

**Honeywell**

# 35 SERIES - DAY/NIGHT KITS

## TECHNICAL SPECIFICATIONS

HN3504010XX / HN350802XX / HN35160XXX NVR

SYSTEM	
Main Processor	ARM Processor
Operating System	Embedded LINUX
ONVIF Compliance	ONVIF Profile S
User Management	User Level: Administrator, Regular User
Log	System, Recording, User
Date & Time	Time Zone, Manual, Automatic Sync NTP, Daylight Saving Time
Fan	HN350401xx: No HN350802xx/HN351602xx: Yes
Security	Encrypted streaming and control
VIDEO	
Inputs	HN350401xx: 4 channels HN350802xx: 8 channels HN351602xx: 16 channels
AUDIO	
Audio Input/Output	3.5 mm Line in x1 3.5 mm Line out x1
Two-way Communication	Supported
Audio Format	G.711
DISPLAY	
Interface	HDMI x 1 (4K Max), VGA x 1 (1080 P)
Resolution	3840 x 2160, 1920 x 1080, 1280 x 1024, 1024 x 768
Display Split	HN350401xx: 1 x 1, 2 x 2, customs HN350802xx: 1 x 1, 2 x 2, 3 x 3, 1 + 7, customs HN351602xx: 1 x 1, 2 x 2, 3 x 3, 4 x 4, 1 + 7, customs
OSD	Time OSD, channel OSD
Stream Application	HN350401xx: 1x1: 1 ch 4 K MAX 2x2: 2 MP in, 4x1080 P 2x2: >2 MP, Camera Stream 2 HN350802xx: 1x1: 1 ch 4 K MAX 2x2: 2 MP in, 4x1080 P 2x2: >2 MP, Camera Stream 2 3x3: Camera Stream 2 HN351602xx: 1x1: 1 ch 4 K MAX 2x2: 2 MP in, 4x1080 P 2x2: >2 MP, Camera Stream 2 3x3: and above: Camera Stream 2
PTZ Operation	Direction control, home, iris, preset, patrol
VIDEO DETECTION AND ALARMS	
Event	Camera: Camera Alarm In, Motion Detection, Camera Disconnection, Tampering Detection, Smart Motion Detection, Intrusion, Crowd Detection, Multi-Loitering System: System Alarm In/Out, Disk Failure, Disk Full
Event Action	Video Recording, Send Email, Buzzer, FTP, Camera Alarm Out, PTZ-Preset, System Alarm Out, Send Video to Full Screen
Alarm Input	HN350401xx: 4 HN350802xx/HN351602xx: 8
Alarm Out	HN350401xx/HN350802xx: 1 HN351602xx: 2
RECORDING	
Compression	H.265 HEVC smart codec/H.264
Resolution	Up to 3840 x 2160
Frame Rate	30 fps
Recording Mode	Continuous, Manual, Event
Max Pre-Event Recording Buffer Size	HN350401xx: Main Stream: 10 Mbps Sub Stream: 6 Mbps HN350802xx/HN351602xx: Main Stream: 8 Mbps Sub Stream: 4 Mbps
Post-Event Recording Interval	30 s (Max. 60 s)
Recording Stream	Support main stream and sub stream simultaneous recording
Recording Throughput	HN350401xx/HN350802xx: 64 Mbps HN351602xx: 128 Mbps
STORAGE	
Internal HDD Slots	HN350401xx: Internal x1 (3.5") HN350802xx/HN351602xx: Internal x2 (3.5")
HDD Max. Capacity	10 TB
Manual Backup	USB Dongle (FAT Format)



**5 YEAR**  
WARRANTY



PLAYBACK AND BACKUP	
Sync Playback	HN350401xx: 4 channels HN350802xx: 8 channels HN351602xx: 16 channels
Decoding	HN350401xx: H.265/H.264: 3840 X 2160 @ 30 fps (1-CH), 2560 * 1920 @ 30 fps (1-CH), 1920 X 1080 @ 120 fps (4-CH) HN350802xx: H.265/H.264: 3840 X 2160 @ 30 fps (1-CH), 2560 * 1920 @ 30 fps (1-CH), 1920 X 1080 @ 120 fps (4-CH), 720 X 576 @ 240 fps (8-CH) HN351602xx: H.265/H.264: 3840 X 2160 @ 30 fps (1-CH), 2560 * 1920 @ 30 fps (1-CH), 1920 X 1080 @ 120 fps (4-CH), 720 X 576 @ 480 fps (16-CH)
Search Mode	Time search, Event Search, Video clip
Playback Function	Regular (Play, Pause, Stop), Play Backwards, Next Frame, Go Back 30 Seconds, Go Forward 30 Seconds, Speed Control, Timeline, Timeline Scale, Digital Zoom, Snapshot, Back Up
Snapshot	JPEG
ENVIRONMENTAL	
Operating Temperature	-10°C ~ 55°C (14°F ~ 131°F)
Relative Humidity	Less than 90% RH
Storage Temperature	-40°C ~ 60°C (-40°F ~ 140°F)
ELECTRICAL	
Power Supply	100-240V AC, 50/60 Hz
Power Consumption	HN350401xx: Max. 65 W; 15W without HDD PoE Ports Output Power: 45W max. (30W max. for a single port) HN350802xx/HN351602xx: Max. 180 W; 15W without HDD PoE Ports Output Power: 130W max. (30W max. for a single port)
NETWORK	
Ethernet	HN350401xx: 10/100 Mbps Ethernet (RJ-45) x 1 HN350802xx/HN351602xx: 10/100/1000 Mbps Ethernet (RJ-45) x 1
PoE	HN350401xx: 802.3at/af compliant PoE ports x 4 HN350802xx: 802.3at/af compliant PoE ports x 8 HN351602xx: 802.3at/af compliant PoE ports x 16
Supported Protocols	IPv4, TCP/IP, HTTP, HTTPS, UPnP, RTSP/RTP/RTCP, SMTP, FTP, DHCP, NTP, DNS, DDNS, IP Filter, P2P
Max Number Users	16
Network Throughput	HN350401xx/HN350802xx: 64 Mbps HN351602xx: 128 Mbps
Smart Phone Compatibility	iOS 11 or later and Android 5.0 or later support
Browsers	Edge, Chrome, Firefox, Safari
AUXILIARY INTERFACE	
USB Ports	HN350401xx/HN350802xx/HN351602xx: Front x2, usb 2.0; Back x1, usb 2.0
PHYSICAL	
Dimensions	HN350401xx: 255.0 x 237.3 x 45.3 mm (10.04 x 9.34 x 1.78 inch) HN350802xx/HN351602xx: 372.0 x 313.3 x 46.5 mm (14.65 x 12.33 x 1.83 inch)
Weight (Without HDD)	HN350401xx: 1 kg (2.20 lb) without HDD HN350802xx: 2.65 kg (5.84 lb) without HDD HN351602xx: 2.75 kg (6.05 lb) without HDD
REGULATORY	
Emissions	FCC Part 15, CE (EN 55032, EN 61000-3-2, EN 61000-3-3, EN 61000-6-4), ICES-003, Comply with UKCA and RCM
Immunity	CE(EN 50130-4, EN 55024, EN 55035) Comply with UKCA and RCM
Safety	UL LISTED TO UL/CSA 62368-1, CE(EN 62368-1), Comply with UKCA and RCM
RoHS	CE(EN 63000), UAE(Cabinet Decree No.10 of 2017)
Warranty	5 Year
Country of Origin	Vietnam

# 35 SERIES - DAY/NIGHT KITS

## TECHNICAL SPECIFICATIONS H35W45R3 - 5 MP FIXED DOME CAMERA



**5 YEAR**  
WARRANTY

ONVIF® | S G T M

### OPERATIONAL

Video Standard	NTSC / PAL
Scanning System	Progressive
Image Sensor	1/2.8" CMOS
Sensor Size (H x V)	5.184 mm x 3.888 mm
Number Of Pixels(H x V)	2592 x 1944
Minimum Illumination (Color/BW)	0.007 Lux / F2.0 (Color,30 IRE), 0 Lux / F2.0 (IR ON)
S/N Ratio	50 dB
Electronic Shutter Speed	1/8 ~ 1/32,000
IR Distance	up to 40 M
IR Light Control	Smart IR (Auto/Manual)/OFF
IR Light Number	2
Day/Night	Auto (ICR) / Color / BW
Backlight Compensation	WDR, BLC, HLC
White Balance	Auto / Tungsten / Fluorescent / Daylight / Shadow / Manual
Gain Control	0-100%
Wide Dynamic Range	120 dB
Noise Reduction	2D / 3D DNR
Lens	2.8 mm, Fixed Iris, F2.0
Angle Of View	H:93°, V:68°
Privacy Masking	Off / On (4 Areas)
Defog	Supported
Local Storage	Micro SD (up to 256 GB)
Alarm Inputs/Outputs	1 In / 1 Out
Pan Range	0°-330°
Tilt Range	0°-75°
Rotation Range	0°-337°

### VIDEO

Video Compression	H.265 HEVC/H.264/MJPEG, Smart Codec
Resolution	1st: 2592 x 1944 / 2592 x 1520 / 1920 x 1080 / 1280 x 720 2nd: 704 x 576 (PAL) / 704 x 480 (NTSC) / 640 x 480 / 352 x 288 (PAL) / 352 x 240 (NTSC) 3rd: 1920 x 1080 (MAX 12fps) / 640 x 480 / 352 x 288 (PAL) / 352 x 240 (NTSC) / 320 x 240
Number of Video Streams	3 (2 for encryption)
Frame Rate*	MAX 30 fps
Bit Rate*	100K-12 Mbps

### AUDIO

Audio Compression	G.711A/G.711U
Audio Stream	2-Way, Full duplex
Audio Interface	Line In/Out

\*For detailed information about frame rate and bit rate, please refer to the User Guide.  
\*\* Some development may be required in specific user cases to support some of these protocols in the field as they mature over time.

### NETWORK

Ethernet	10 Base-T/100 Base-TX Ethernet (RJ-45)
Supported Web Browsers	Chrome/Edge
Supported OS	Microsoft Windows 10
Protocols**	IPv4, IPv6, TCP / IP, HTTP, HTTPS, RTSP / RTP / RTCP, IGMP / Multicast, SMTP, DHCP, NTP, DNS, QoS, SNMP, 802.1X, UDP, ICMP, ARP, TLS
Interoperability	ONVIF Profile G/S/T/M
Maximum Users Access	10 Users
Security	User account and password protection, HTTPS, IP Filter, Digest authentication, TLS1.2 only, Stream encryption, AES128 / 256, SSH / Telnet closed, PCI-DSS compliance
Languages Supported	Arabic, Czech, Dutch, English, French, German, Italian, Japanese, Korean, Polish, Portuguese (Brazil), Spanish, Turkish

### EVENTS / ANALYTICS

Built-in Video Analytics	People Counter, Multi Loitering, Intrusion, Scene Change, Smart Motion Detection (SMD), Motion Detection, Face Detection, Line Crossing Detection
Event Type	Video motion detection, Alarm Input, Recording Notification, Scene Change
Event Linkage	Event notification using digital output, Email and MicroSD card
Region Of Interest	8

### ELECTRICAL

Power Supply	DC12V, PoE (IEEE 802.3af) (Class 0)
Power Consumption (Max)	MAX 4.08 W

### MECHANICAL

Dimensions	Ø110.0 mm x 85.6 mm (Ø4.33" x 3.37")
Dome Diameter	Ø78.2 mm (3.08")
Product Weight	0.56 kg (1.23 lb)
Package Weight	0.65 kg (1.43 lb)
Body Material	Die-cast aluminium housing
Color	Camera Body: RAL 9003 (Signal White) Front/Lens Facings: Pantone Black

### ENVIRONMENTAL

Operating Temperature	Starting Temperature: -40°C ~ 60°C (-40°F ~ 140°F) Working Temperature: -40°C ~ 60°C (-40°F ~ 140°F)
Relative Humidity	Less than 90 %, non-condensing
Ingress Protection	IP66/IP67
Impact Resistance	IK10

### REGULATORY

Emissions	FCC PART 15, CE (EN 55032), Complies with RCM and UKCA
Immunity	CE(EN 50130-4), Complies with RCM and UKCA
Safety	UL LISTED TO UL/CSA 62368-1, CE(EN 62368-1), Complies with RCM and UKCA
RoHS	CE (EN 63000), UAE(Cabinet Decree No.10 of 2017)
Warranty	5 Years
Country of Origin	Vietnam

# 35 SERIES - DAY/NIGHT KITS

## TECHNICAL SPECIFICATIONS HC35WE5R3 - 5 MP FIXED BALL CAMERA



**5 YEAR**  
WARRANTY

ONVIF® | S G T M

OPERATIONAL	
Video Standard	NTSC/PAL
Scanning System	Progressive
Image Sensor	1/2.8" CMOS
Sensor Size (H x V)	5.184 mm x 3.888 mm
Number Of Pixels(H x V)	2592 x 1944
Minimum Illumination (Color/BW)	0.005 Lux / F2.0 (Color, 30IRE), 0 Lux / F2.0 (IR ON)
S/N Ratio	50 dB
Electronic Shutter Speed	1/8 ~ 1/32,000
IR Distance	up to 40 m
IR Light Control	Smart IR (Auto/Manual)/OFF
IR Light Number	3
Day/Night	Auto (ICR) / Color / BW
Backlight Compensation	WDR, BLC, HLC
White Balance	Auto / Tungsten / Fluorescent / Daylight / Shadow / Manual
Gain Control	0-100%
Wide Dynamic Range	120 dB
Noise Reduction	2D / 3D DNR
Lens	2.8 mm, Fixed Iris, F2.0
Angle Of View	H:88°, V:65°
Privacy Masking	Off / On (4 Areas)
Defog	Supported
Local Storage	Micro SD (up to 256 GB)
Alarm Inputs/Outputs	1In / 1 Out
Pan Range	0°-360°
Tilt Range	0°-80°
Rotation Range	0°-360°
VIDEO	
Video Compression	H.265 HEVC/H.264/MJPEG, Smart Codec
Resolution	1st: 2592 x 1944 / 2592 x 1520 / 1920 x 1080 / 1280 x 720 2nd: 704 x 576(PAL) / 704 x 480(NTSC) / 640 x 480/352 x 288(PAL) / 352 x 240(NTSC) 3rd: 1920 x 1080 (MAX 12 fps) / 640 x 480 / 352 x 288(PAL) / 352 x 240(NTSC) / 320 x 240
Number of Video Streams	3 (2 for encryption)
Frame Rate*	MAX 30fps
Bit Rate*	100K-12Mbps
AUDIO	
Audio Compression	G.711A / G.711U
Audio Stream	2-Way, Full duplex
Audio Interface	Line In/Out

NETWORK	
Ethernet	10 Base-T/100 Base-TX Ethernet (RJ-45)
Supported Web Browsers	Chrome/Edge
Supported OS	Microsoft Windows 10
Protocols**	IPv4, IPv6, TCP / IP, HTTP, HTTPS, RTSP / RTP / RTCP, IGMP / Multicast, SMTP, DHCP, NTP, DNS, QoS, SNMP, 802.1X, UDP, ICMP, ARP, TLS
Interoperability	ONVIF Profile G/S/T/M
Maximum Users Access	10 Users
Security	User account and password protection, HTTPS, IP Filter, Digest authentication, TLS1.2 only, Stream encryption, AES128 / 256, SSH / Telnet closed, PCI-DSS compliance
Languages Supported	Arabic, Czech, Dutch, English, French, German, Italian, Japanese, Korean, Polish, Portuguese (Brazil), Spanish, Turkish
EVENTS / ANALYTICS	
Built-in Video Analytics	People Counter, Multi Loitering, Intrusion, Scene Change, Smart Motion Detection (SMD), Motion Detection, Face Detection, Line Crossing Detection
Event Type	Video Motion Detection, Alarm Input, Recording Notification, Scene Change
Event Linkage	Event Notification Using Digital Output, Email and MicroSD card
Region Of Interest	8
ELECTRICAL	
Power Supply	DC12V, PoE (IEEE 802.3af) (Class 0)
Power Consumption (Max)	Max 5.13 W
MECHANICAL	
Dimensions	Ø110.0 mm x 94.4 mm (Ø4.33" x 3.72")
Product Weight	0.6 kg (1.32 lb)
Package Weight	0.72 kg (1.59 lb)
Body Material	Die-cast aluminium housing
Color	Camera Body: RAL 9003 (Signal White) Front/Lens Facings: Pantone Black
ENVIRONMENTAL	
Operating Temperature	Starting Temperature: -40°C ~ 60°C (40°F ~ 140°F) Working Temperature: -40°C ~ 60°C (-40°F ~ 140°F)
Relative Humidity	Less than 90 %, non-condensing
Ingress Protection	IP66/IP67
REGULATORY	
Emissions	FCC PART 15, CE (EN 55032), Complies with RCM and UKCA
Immunity	CE(EN 50130-4), Complies with RCM and UKCA
Safety	UL LISTED TO UL/CSA 62368-1, CE(EN 62368-1), Complies with RCM and UKCA
RoHs	CE(EN 63000), UAE(Cabinet Decree No.10 of 2017)
Warranty	5 Years
Country of Origin	Vietnam

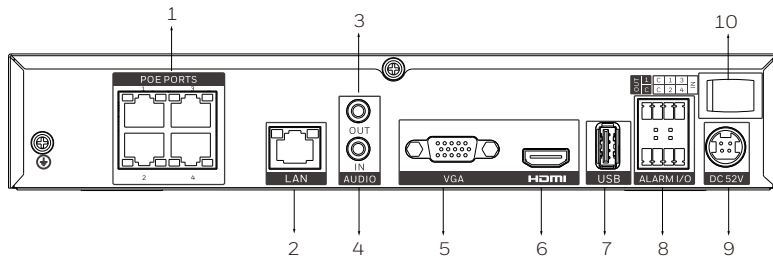
\*For detailed information about frame rate and bit rate, please refer to the User Guide.

\*\* Some development may be required in specific user cases to support some of these protocols in the field as they mature over time.

# 35 SERIES - DAY/NIGHT KITS

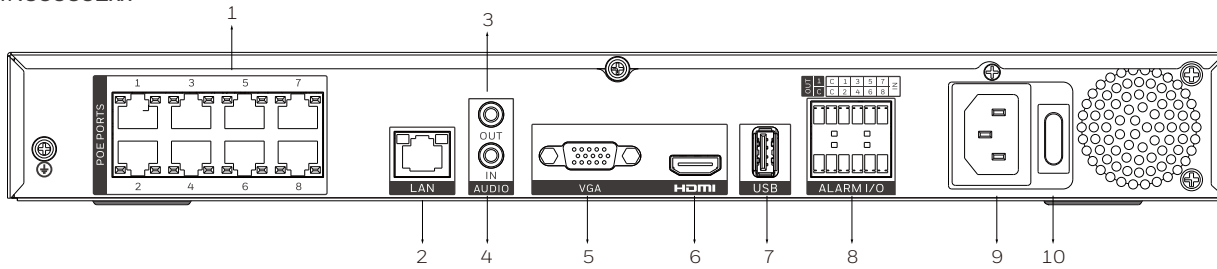
## NVR SYSTEM DIAGRAM

HN350401xx



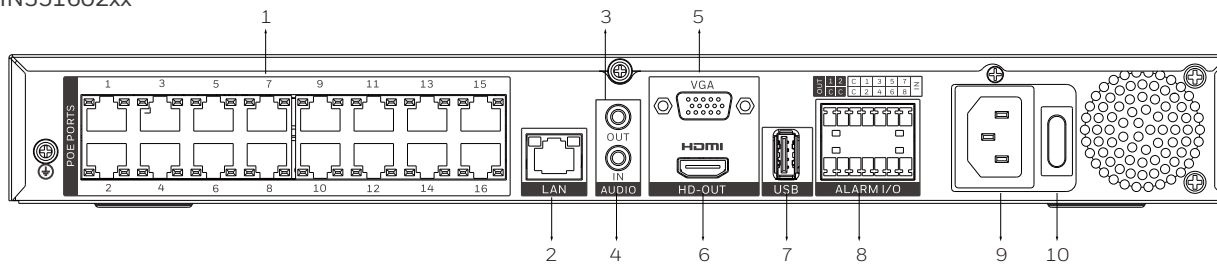
1. PoE Ports 2. LAN Port 3. Audio Out 4. Audio In 5. VGA Port 6. HDMI Port 7. USB Port 8. Alarm Input/Output 9. DC 52V Power Input 10. Power Switch

HN350802xx



1. PoE Ports 2. LAN Port 3. Audio Out 4. Audio In 5. VGA Port 6. HDMI Port 7. USB Port 8. Alarm Input/Output 9. Power Input 10. Power Switch

HN351602xx

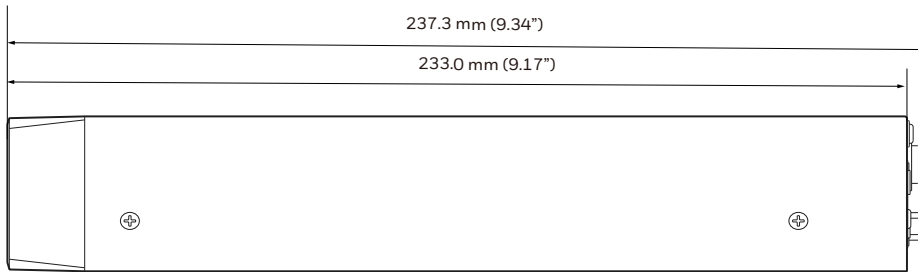


1. PoE Ports 2. LAN Port 3. Audio Out 4. Audio In 5. VGA Port 6. HDMI Port 7. USB Port 8. Alarm Input/Output 9. Power Input 10. Power Switch

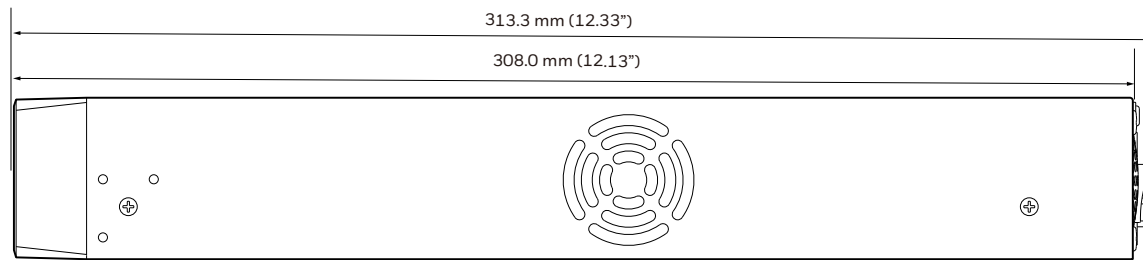
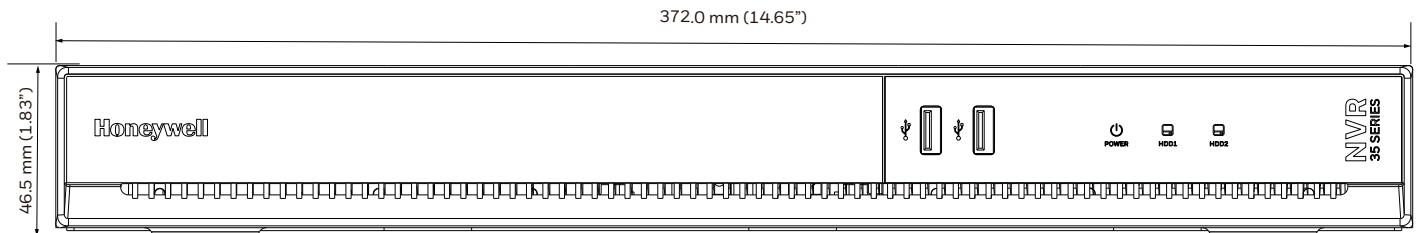
# 35 SERIES - DAY/NIGHT KITS

## DIMENSIONS - NVR

HN350401xx



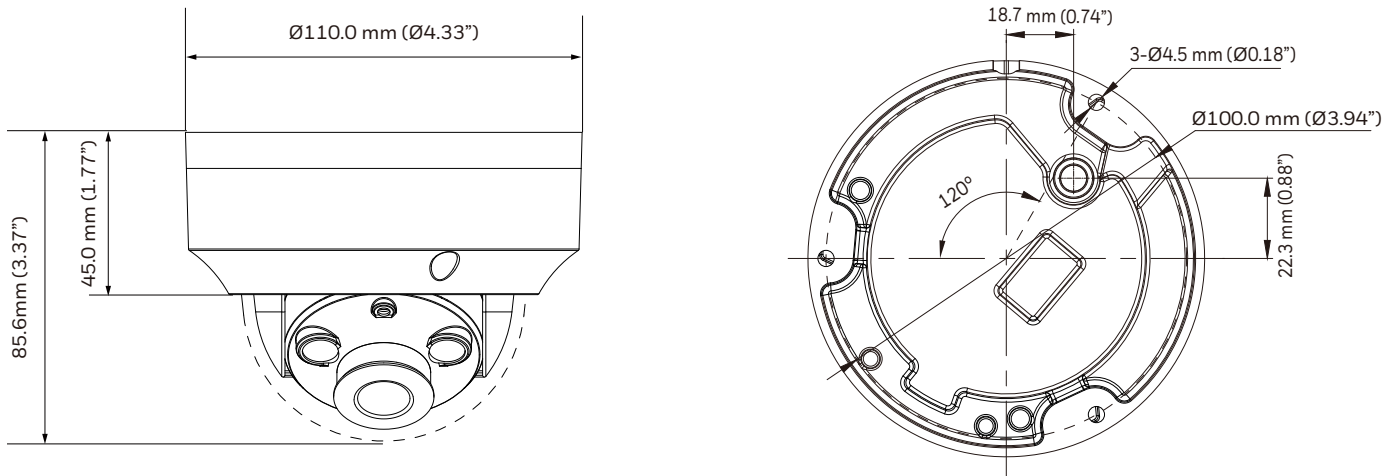
HN350802xx/HN351602xx



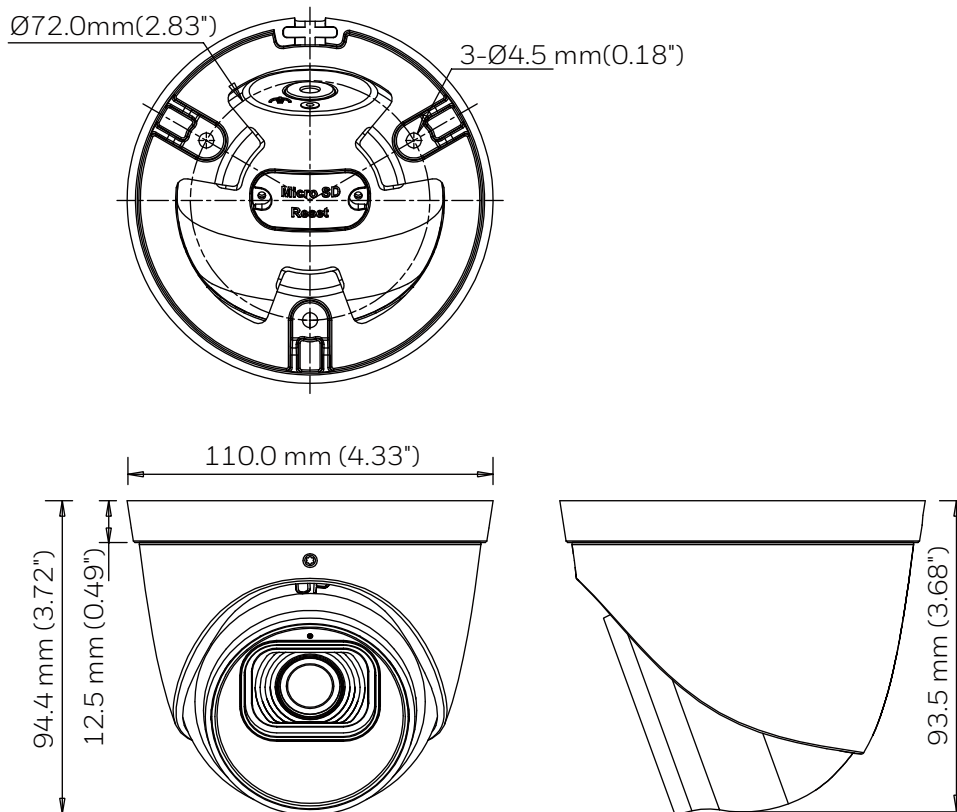
# 35 SERIES - DAY/NIGHT KITS

## DIMENSIONS - CAMERA

HC35W45R3



HC35WE5R3





# 35 SERIES - DAY/NIGHT KITS

## RECOMMENDED ACCESSORIES - CAMERA

OPTIONAL MOUNTS AND ACCESSORIES*			
HA35JCBHA1	35S all-in-one box	HA60WLMB1	60S wall mount bracket, 1.5NPT female
HA35JCBHDF	35S fixed dome junction box	HAOPLMZI	60S pole mount bracket
HA35JCBH1		HA60CNMZI	60S corner mount bracket
HA35CLM01	35S ceiling mount base with adapter		
HA35CLM02	35S ceiling mount pendent extension, 252 mm		
HA35PMC03	35S fixed camera cap, 1.5NPT male		

\*Mounting accessories are not included with camera and must be ordered separately.

ACCESSORIES	HA35JCBHA1	HA35JCBHDF	HA35PMC03	HA35CLM01	HA35CLM02	HA60WLMB1	HA35CNM01	HA35PLM01
<b>CAMERA</b>								
HC35W45R3 - Dome Camera								
HC35WE5R3 - Ball Camera								

## DOME

## BALL

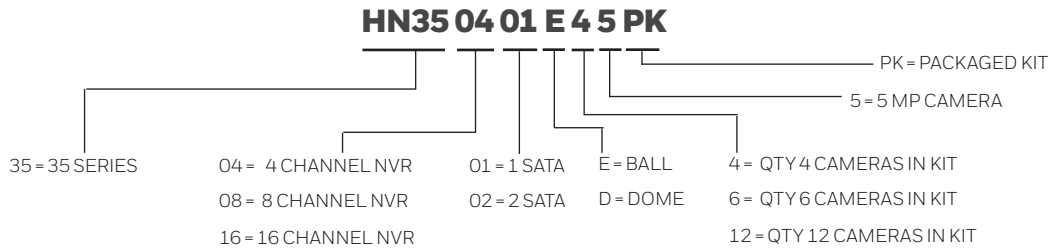
JUNCTION BOX	WALL MOUNT	POLE MOUNT	CEILING MOUNT
 HA35JCBHDF	 HA60WLMB1 + HA35PMC03	 HA60PLMZ + HA60JCBH1	 HA35CLM01 + HA35PMC03
 HA60JCBH1		 HA60PLMZ + HA35PMC03 + HA60WLMB1	 HA35CLM01 + HA35CLM02 + HA35PMC03
		 HA60CNMZ + HA60JCBH1	
		 HA60CNMZ + HA35PMC03 + HA60WLMB1	

JUNCTION BOX	WALL MOUNT	POLE MOUNT	CEILING MOUNT
 HA35JCBHA1	 HA60WLMB1 + HA35PMC03	 HA60PLMZ + HA60JCBH1	 HA35CLM01 + HA35PMC03
 HA60JCBH1		 HA60PLMZ + HA35PMC03 + HA60WLMB1	 HA35CLM01 + HA35CLM02 + HA35PMC03
		 HA60CNMZ + HA60JCBH1	
		 HA60CNMZ + HA35PMC03 + HA60WLMB1	



# 35 SERIES - DAY/NIGHT KITS

## PART NUMBER LOOKUP



## ORDERING

### FULL COLOR NIGHT VISION VIDEO SURVEILLANCE KIT

KIT SKU#	KIT DESCRIPTION	EACH KIT CONTAINS:	DESCRIPTION	QTY INCLUDED IN KIT
HN35040101D45PK	35 Series Day/Night Camera/NVR Kit - 35 Series 4 Ch eNVR - 1 TB SATA Drive and (4) 35 Series 5MP Fixed Dome Cameras	HC35W45R3	35 Series - 5 MP IR Rugged Mini Dome Camera, WDR 120dB, 2.8mm, PoE, DC12V, Audio & Alarm In/Out, IK10	4
		HN35040101	35 Series - 4 Chs NVR 4k Support, H.265/H.264, 4 Chs PoE, Stream Encryption, 1 TB, 1SATA	1
HN35040101D45PK	35 Series Day/Night Camera/NVR Kit - 35 Series 4 Ch eNVR - 1 TB SATA Drive and (4) 35 Series 5MP Fixed Eyeball Cameras	HC35WE5R3	35 Series - 5 MP IR Fixed Ball Camera, WDR 120dB, 2.8 mm, PoE, DC12V, Audio & Alarm In/Out	4
		HN35040101	35 Series - 4 Chs NVR 4k Support, H.265/H.264, 4 Chs PoE, Stream Encryption, 1 TB, 1SATA	1
HN35080202D65PK	35 Series Day/Night Camera/NVR Kit - 35 Series 8 Ch eNVR - 2 TB SATA Drive and (6) 35 Series 5MP Fixed Dome Cameras	HC35W45R3	35 Series - 5 MP IR Rugged Mini Dome Camera, WDR 120dB, 2.8mm, PoE, DC12V, Audio & Alarm In/Out, IK10	6
		HN35080202	35 Series - 8 Chs NVR 4K Support, H.265/H.264, 8 Chs PoE, Stream Encryption, 2 TB, 2SATA	1
HN35080202E65PK	35 Series Day/Night Camera/NVR Kit - 35 Series 8 Ch eNVR - 2 TB SATA Drive and (6) 35 Series 5MP Fixed Eyeball Cameras	HC35WE5R3	35 Series - 5 MP IR Fixed Ball Camera, WDR 120dB, 2.8 mm, PoE, DC12V, Audio & Alarm In/Out	6
		HN35080202	35 Series - 8 Chs NVR 4K Support, H.265/H.264, 8 Chs PoE, Stream Encryption, 2 TB, 2SATA	1
HN35160204D125PK	35 Series Day/Night Camera/NVR Kit - 35 Series 8 Ch eNVR - 2 TB SATA Drive and (6) 35 Series 5MP Fixed Dome Cameras	HC35W45R3	35 Series - 5 MP IR Rugged Mini Dome Camera, WDR 120dB, 2.8mm, PoE, DC12V, Audio & Alarm In/Out, IK10	12
		HN35160204	35 Series - 16 Chs NVR 4K Support, H.265/H.264, 16 Chs PoE, Stream Encryption, 4 TB, 2SATA	1
HN35160204E125PK	35 Series Day/Night Camera/NVR Kit - 35 Series 8 Ch eNVR - 2 TB SATA Drive and (6) 35 Series 5MP Fixed Eyeball Cameras	HC35WE5R3	35 Series - 5 MP IR Fixed Ball Camera, WDR 120dB, 2.8 mm, PoE, DC12V, Audio & Alarm In/Out	12
		HN35160204	35 Series - 16 Chs NVR 4K Support, H.265/H.264, 16 Chs PoE, Stream Encryption, 4 TB, 2SATA	1



HEVCAdvance™

#### For more information

[buildings.honeywell.com/security](http://buildings.honeywell.com/security)

#### Honeywell Commercial Security

715 Peachtree St. NE

Atlanta, GA 30308

1.800.323.4576

[www.honeywell.com](http://www.honeywell.com)

ONVIF and the ONVIF logo are trademarks of ONVIF Inc.  
HEVC Advance logo is a trademark of HEVC Advance.

Honeywell reserves the right, without notification, to make changes in product design or specifications.

HBA-SEC-35S-DAYNIGHTKIT-US-EN-01-2025-V01-ZD  
© 2025 Honeywell International Inc.