

VARIO i8-2

Adaptive Illumination™

MULTI-ANGLE INFRA-RED

The VARIO i8-2 Adaptive Illumination™ Series represents class leading Infra-Red illumination designed for all CCTV installations. VARIO illuminators combine the latest advances in optics, remote control, electronic feedback and green technology into an outstanding all-round package.

The unique VARIO beam pattern system is the latest development in interchangeable holographic optics and allows users to precisely match the angle of illumination to the required field of view. VARIO lenses use hot-spot reduction technology (HRT) to produce images far better than those possible with normal LED illuminators. The HRT system delivers a highly diffused elliptical beam shape to deliver light directly to where it is most needed, allowing greater illumination distances, reducing light and energy wastage and preventing the overexposure of foreground objects.

An optional VARIO remote control provides the ability to set-up the illuminator quickly, safely and from ground level. Active LED life control ensures high reliability and consistent optical output and all VARIO illuminators are part of the Raytec Green Touch programme, delivering outstanding performance with minimal environmental impact. The VARIO LED status indicator provides instant operational feedback on status and performance of the illuminator.

A standard VARIO kit includes interchangeable lenses to deliver angles of 10, 35 and 60 degrees out of the box; enough flexibility to cover most applications. Other angles are available on request. VARIO illuminators are supplied complete with bracket and operate directly from a 12-24V input.

INTERCHANGEABLE LENS SYSTEMS



At the heart of VARIO is a holographic lens system that allows the user to change the angle of light by changing the VARIO lens. A wide range of lenses are available to ensure that VARIO illuminators meet the demands of any installation. A standard VARIO illuminator delivers 10° circular, 35x10° and 60x25° elliptical angles out of the box. Other VARIO lenses are available on request.



POWERFUL

- Distances up to 310m
- **PLATINUM**® SMT LED technology
- **HRT** Hot-spot Reduction Technology

FLEXIBLE

- VARIO holographic lens system
- Angles from 10-120 degrees - interchangeable
- Optional VARIO remote control interface
- Adaptive Illumination™

RELIABLE

- LED status indicator
- Active LED Life Control
- Vandal Resistant

CONTROLLED

- Command and Control Technology™
- Elliptical beams angles for optimal light distribution
- Semi-Covert (850nm) or Covert (940nm) Options

APPLICATIONS



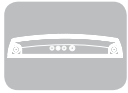
Available from A1 Security Cameras

www.a1securitycameras.com email: sales@a1securitycameras.com



VARIO INTERCHA

Angle of illumination can be easily, quickly and precisely adjusted by changing the Vario holographic lens insert. Never again be caught with the wrong angle illuminator. Elliptical and Circular beam patterns available.



LED STATUS INDICATOR

Quick operational feedback on status and performance of the illuminator. Allows simple and quick commissioning of the installation and easy maintenance reviews



HRT - HOT-SPOT REDUCTION TECHNOLOGY

HRT - hot-spot reduction technology delivers a highly diffused, elliptical beam shape to deliver more light where it is needed, generating both longer distances and minimizing light wastage. The HRT system also prevents overexposure of foreground objects.



VARIO REMOTE CONTROL

1 man installation, reduces both cost and time of installation. Allows set up quickly and safely from ground level and provides access to advanced set up features.



GREEN TOUCH TECHNOLOGY

In-built green features such as power adjust, telemetry control and timer function enhance the potential for energy savings. Fully recyclable packaging minimises physical waste and less light is wasted with the use of elliptical beam patterns. All VARIO units deliver high performance with low running costs.



PLATINUM ADVANCED LED TECHNOLOGY

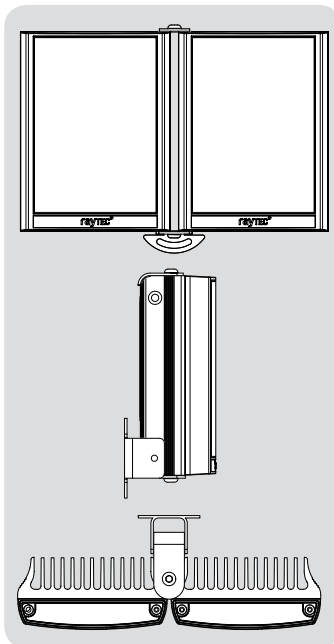
PLATINUM illuminators use cutting edge SMT LED technology together with Light Intensification Miniature Optics (LIMO™) and an enhanced Cool Running™ thermal management system into a single high performance LED. The result is World leading power, reliability and flexibility.

5 YEAR WARRANTY

All Raytec CCTV illuminators are provided with a 5 year warranty, unmatched anywhere in the CCTV lighting industry. Raytec illuminators provide guaranteed long life!

5 YEAR WARRANTY

TECHNICAL SPECIFICATIONS



ILLUMINATOR

Max Distance: 310m (1010ft)

Angle: Each single unit standard pack includes 10 circular + 35 x 10 (fitted as standard) and 60 x 25 elliptical lenses

Additional optional lenses:
80 x 30
120 x 50

Optics: SMT LED's

Consumption: 96W max

Input: 12/24V AC/DC

Voltage: 13.5V current controlled

Weight: 4.5kg (9.9lbs)

Environmental: IP66

Temp Range: -50 to +50°C (-58 to 122°F)

Cable Length: 2.5m

Colour: Black

Wavelength: 850 or 940nm

Dimensions: 279 x 223 x 68mm
11" x 9" x 3" approx

BRACKETRY

U Bracket and Adaptive Illumination bracket included.

INTEGRATED COMMAND AND CONTROL TECHNOLOGY

Integrated Standard Features

- In-built photocell for automatic on/off operation
- LED status indicator provides status on performance of the unit
- Photocell following output

Integrated Advanced Features (accessed via VARIO remote control)

- Power adjust from 20-100%
- Photocell sensitivity adjust
- Timer function (up to 30 mins)
- Telemetry control
- Remote Dimming
- LED status indicator on/off
- Restore factory default settings

PART CODES & DISTANCES

VAR-i8-2	VARIO i8-2 with 3 angle options included 12-24V, 850nm	10x10° 35x10° (fitted as standard on both units) 60x25° 80 x 30° 120 x 50°
----------	--	--

VAR-i8-2-c	VARIO i8-2 covert with 3 angle options included 12-24V, 940nm	10x10° 35x10° (fitted as standard on both units) 60x25° 80 x 30° 120 x 50°
------------	---	--

NARROW ANGLE

310m (1010ft) at 10°
170m (551ft) at 35°
112m (367ft) at 60°
70m (230ft) at 80°
65m (213ft) at 120°

Contact Raytec
Contact Raytec
Contact Raytec
Contact Raytec
Contact Raytec

WIDE ANGLE

220m (722ft) at 20°
120m (394ft) at 70°
80m (262ft) at 120°
50m (164ft) at 140°
45m (148ft) at 180°

Contact Raytec
Contact Raytec
Contact Raytec
Contact Raytec
Contact Raytec

OPTIONAL PARTS

VAR-rc	Remote Control for any VARIO illuminator (only 1 remote needed)
VAR-i8-LENS-8030	Individual i8 VARIO lens – 80H x 30V
VAR-i8-LENS-12050	Individual i8 VARIO lens – 120H x 50V