

# NetWay16G

## 16-Port Managed PoE Midspan Injector

### Description

Altronix NetWay16G is a 16-port networked Managed Midspan in a 1U rack enclosure. It provides PoE/PoE+ (up to 30W power per port), and passes data at 10/100/1000 Mbps at distances up to 100m. Features also include an integral battery charger for applications requiring backup and embedded LINQ™ Technology to monitor, control, and report power and diagnostics from anywhere.

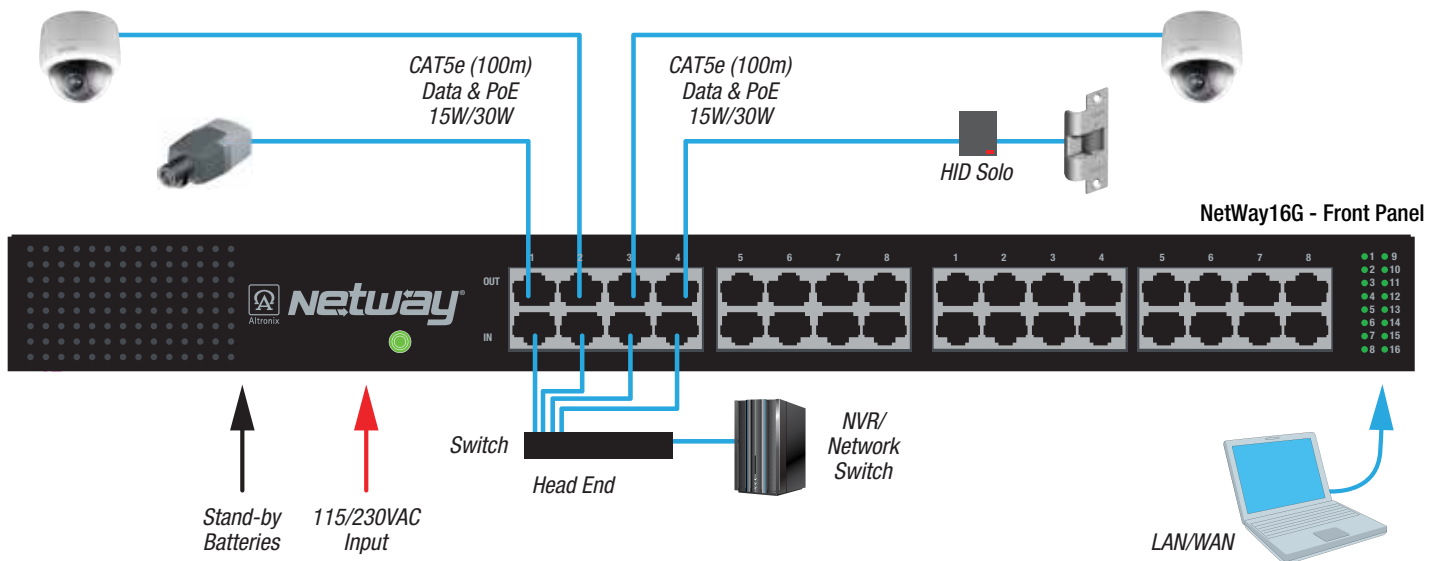


NetWay16G

### Key Features

- IEEE 802.3af (15W) and IEEE 802.3at (30W) compliant.
- Sixteen (16) ports for cameras/edge devices over ethernet.
- Speed: 10/100/1000 Mbps.
- 30W maximum power per port.
- Port status LEDs.
- Auto detection and protection of legacy non-PoE cameras/devices.
- Real-time power diagnostics with e-mail and Windows Dashboard Alert notifications.
- Local and/or remote access to critical information via LAN/WAN.
- Event Log tracks history.
- Built-in IP networked management allows for remote camera reset and monitoring.
- Built-in battery charger.
- Lifetime Warranty / Made in the U.S.A.

### Typical Application



# NetWay16G

## 16-Port Managed PoE Midspan Injector

### Specifications

#### Input

115VAC, 60Hz, 4.5A or 230VAC, 50Hz, 2.5A.

#### Power

Unit provides PoE / PoE+.  
30W full power per port.  
Total power: 480W.

#### Ethernet

Connectivity: RJ45, auto-crossover.  
Wire type: 4-pair CAT5e or better structured cable.  
Distance: up to 100m.  
Speed: 10/100/1000 BaseT, half/full duplex, auto negotiation.

#### Indicators (LED)

Yellow and Green LED (by RJ45 jack):  
IP Link status, 10/100/1000 Base-T/active.  
Green LED Port status.

#### LINQ Technology:

Remote network management allows for camera/device reset and monitoring.  
Provides local and/or remote access to critical information via LAN/WAN.  
Email and Windows Dashboard Alert notifications report real-time diagnostics.  
Event log tracks history.

#### Physical and Environmental

##### Dimensions (W x L x H)

1.625" x 19.125" x 8.5" (41.3mm x 486mm x 216mm).

##### Weight (approx.)

Product Weight: 4.05 lbs. (1.84 kg).  
Shipping Weight: 5.1 lbs. (2.31 kg).

##### Temperature

Operating: -20°C to 40°C (-4°F to 104°F).  
Storage: -20° to 70°C (-4°F to 158°F).

Relative Humidity 85% +/-5%.

Operating Altitude: -304.8 to 3,048m.

BTU/Hr. (approx.): 245 BTU/Hr.

### Accessories:

#### Repeaters:



NetWayXT

**NetWayXT**  
PoE repeater module.  
Extends data (video) for 100m.



NetWayXTX

**NetWayXTX**  
PoE+ repeater module.  
Extends data (video) for 100m.

#### Battery Backup:



RE2

#### RE2

Rack Mount Battery Enclosure accommodates up to four (4) 12VDC/7AH batteries